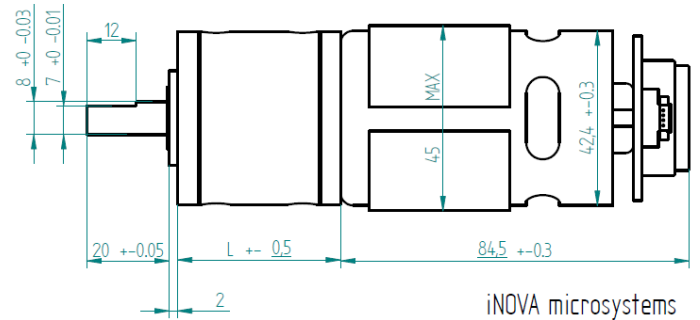
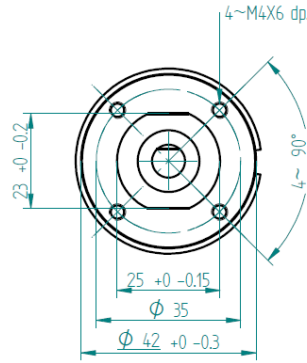
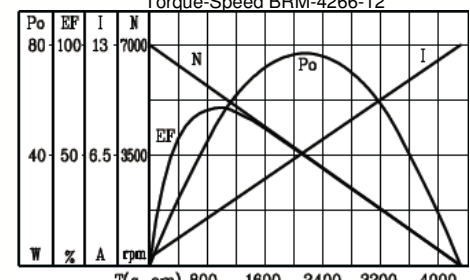
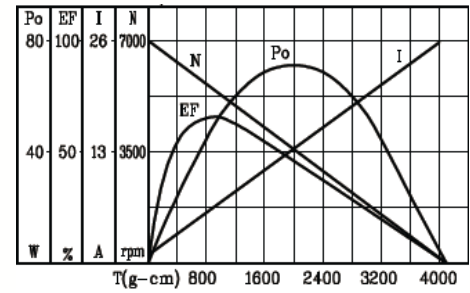




Illustrative Photo



Motor Parameters					
Part No	BRM	4266	4266		Remarks
Nominal power	W	41.3	34.7		
Nominal voltage	V	12	24		
Nominal speed	rpm	5700	5900		
Nominal torque	mNm	68.6	56		
Nominal current	A	5.5	2.1		
Weight	g	360	360		
Motor Length (L)	mm	66	66		
No load speed	rpm	8000	9000		
No load current	mA	70	40		
Stall torque	mNm				
Starting current	mA				
Terminal resistance	ohm				
Terminal Inductance	mH				
Efficiency	%				
Torque Constant	mNm/A				
Back EMF Constant	mV/rpm				

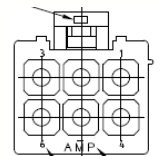


Planetary Gear Box Parameters										
Part No: -nnP		-4P	-14P	-24P	-49P	-104P	-212P	-504P	-1062P	-2500P
Gear Ratio		4	14	24	49	104	212	504	1062	2500
Rated Torque	Nm	6	27	27	27	32	32	32	32	32
Peak Torque	Nm	12	54	54	54	64	64	64	64	64
Length (L)	mm	39	55	55	55	71	71	71	71	71
No. of Stage		1	2	2	2	3	3	3	3	3
Efficiency	%									

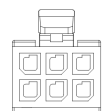
Encoder Parameters				
Part No: -OEenn		-OE400	-OE512	-ME5
Resolution	PPR	400	512	5
Power Supply	V	5	5	5
Max Frequency	KHz	125	125	125
Index Pulse				

Encoder Connector (AMP 794617-6) Optional						
Pin	1	2	3	4	5	6
Color	GR	BU		BN	PU	
Signal	0V	A		5V	B	
	Green	Blue		Brown	Purple	

Motor Connector (AMP 172168-1) Optional						
Pin	1	2	3	4	5	6
Color	YL	GN	-			
Signal	U	V	-			
	Red	Black				



Motor Connectors (AMP 172168-1) [http://www.inovamicro.com/support/172168\\_1.pdf](http://www.inovamicro.com/support/172168_1.pdf)



Sensor Connectors (AMP 794617-6) <http://www.inovamicro.com/support/micromatenlock.pdf>

Order Information					
Model No	-Voltage	-Gearbox	-Feedback Device	-Brake	- Customized Code
BRM-4266	-24	-14P	-OE512		

Please find the ordering options from the Part No in the parameter tables above. For customizations, please contact [sales@inovamicro.com](mailto:sales@inovamicro.com)

Driver Electronics	
Part Number	
iMOTO-1	<a href="http://www.inovamicro.com/imoto.html">http://www.inovamicro.com/imoto.html</a>
iMOTO-0	<a href="http://www.inovamicro.com/imoto.html">http://www.inovamicro.com/imoto.html</a>