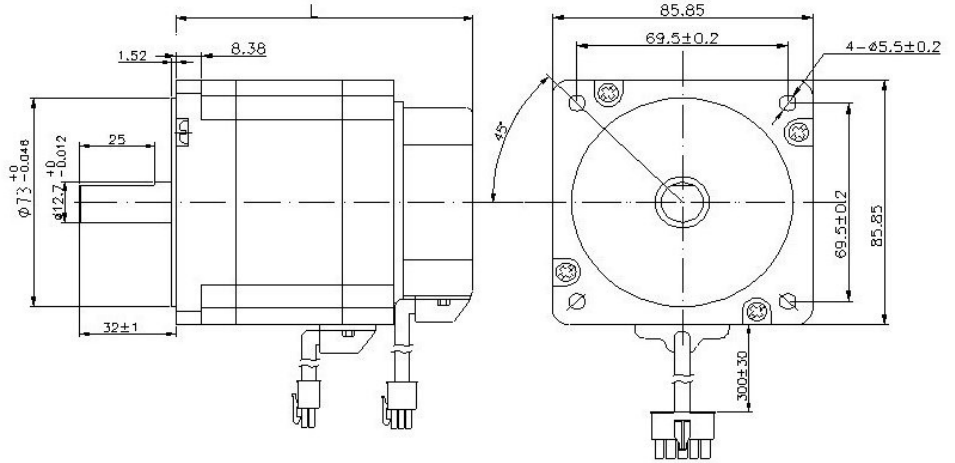
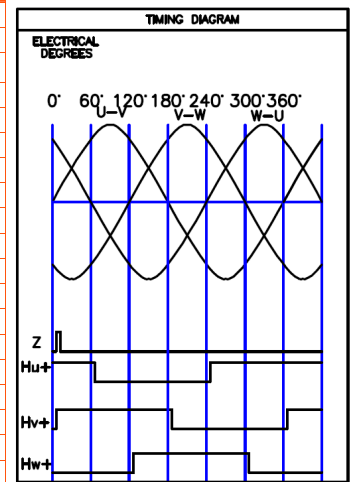


Illustrative Photo



Motor Parameters					
Part No	BLM	86100	86120	86150	Remarks
Nominal power	W	220	440	660	
Nominal voltage	V	48	48	48	More voltage option
Nominal speed	rpm	3000	3000	3000	More speed options
Nominal torque	mNm	700	1400	2100	
Nominal current	A	6.1	12.2	18.3	
Weight	g	1850	2600	4000	
Motor Length (L)	mm	97	125	150	
No load speed	rpm	3600	3600	3600	
No load current	mA				
Stall torque	mNm				
Starting current	mA				
Terminal resistance	ohm				
Terminal Inductance	mH				
Efficiency	%				
Torque Constant	mNm/A				
Back EMF Constant	mV/rpm				
No of Poles		8	8	8	



Phase diagram seen from output shaft

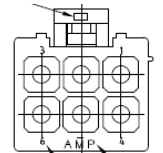
Planetary Gear Box Parameters (P8)								
Part No: -nnP6		-4P8	-9P8	-15P8	-25P8	-36P8	-60P8	-100P8
Gear Ratio		4	9	15	25	36	60	100
Rated Torque	Nm	85	110	110	110	120	120	120
Peak Torque	Nm	170	220	220	220	240	240	240
Length (L)	mm	64	83	83	83	102	102	102
No. of Stage		1	2	2	2	3	3	3
Effeciency	%	96	94	94	94	90	90	90



Hall Sensor: SS41 Honeywell  
<http://www.inovamicro.com/support/SS41.pdf>

Encoder Parameters				
Part No: -OEenn		-OE500	-OE1000	-OE2500
Resolution	PPR	500	1000	2500
Power Supply	V	5	5	5
Max Frequency	KHz	125	125	125
Index Pulse		Yes	Yes	Yes

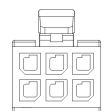
Motor Connector (AMP 172168-1)						
Pin	1	2	3	4	5	6
Color	YL	GN		BU	BK	-
Signal	U	V	-	W	SHD	-



Motor Connectors (AMP 172168-1)  
[http://www.inovamicro.com/support/172168\\_1.pdf](http://www.inovamicro.com/support/172168_1.pdf)

Hall Sensor Connector (AMP 794617-6)						
Pin	1	2	3	4	5	6
Color	GB	YL	BK	YB	GN	WH
Signal	0V	U	SHD	5V	V	W

Encoder Connector (AMP 794617-6)						
Pin	1	2	3	4	5	6
Color	BK	GY	BK	RD	BN	OR
Signal	0V	A	SHD	5V	B	I



Sensor Connectors (AMP 794617-6)  
<http://www.inovamicro.com/support/micromatenlock.pdf>

Order Information					
Model No	-Voltage	-Gearbox	-Feedback Device	-Brake	- Customized Code
BLM-86100	-48	-4P8	-OE1000	-B	

Please find the ordering options from the Part No in the parameter tables above. For customizations, please contact [sales@inovamicro.com](mailto:sales@inovamicro.com)

Driver Electronics	
Part Number	
iMOTO-1	<a href="http://www.inovamicro.com/imoto.html">http://www.inovamicro.com/imoto.html</a>
iMOTO-2	<a href="http://www.inovamicro.com/imoto.html">http://www.inovamicro.com/imoto.html</a>