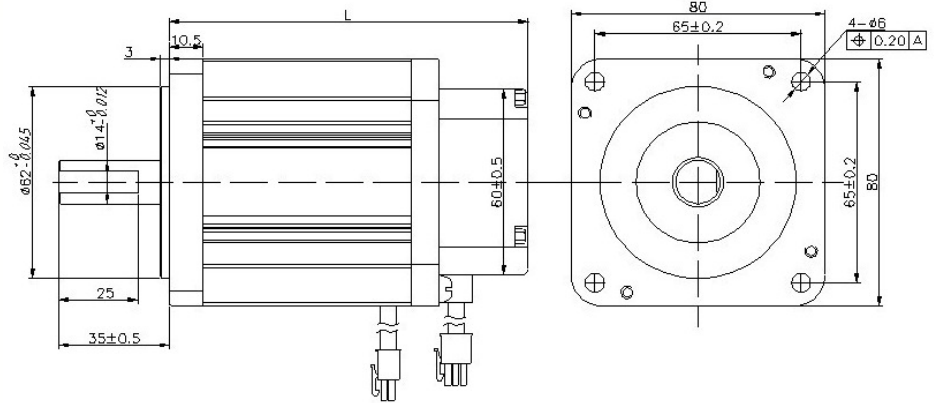
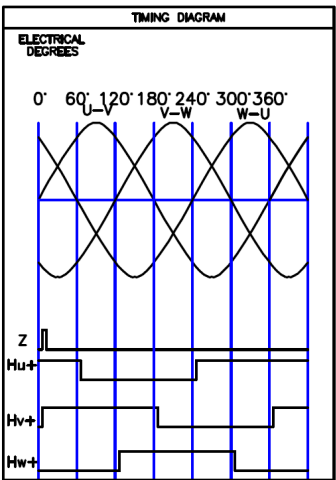




Illustrative Photo



Motor Parameters					
Part No	BLM	80110	80140	80160	Remarks
Nominal power	W	377	628	880	
Nominal voltage	V	48	310	310	More voltage option
Nominal speed	rpm	3000	3000	3000	More speed options
Nominal torque	mNm	1200	2000	2800	
Nominal current	A	10.5	2.7	3.8	
Weight	g				
Motor Length (L)	mm	110	143	163	
No load speed	rpm	3600	3600	3600	
No load current	mA				
Stall torque	mNm				
Starting current	mA				
Terminal resistance	ohm				
Terminal Inductance	mH				
Efficiency	%				
Torque Constant	mNm/A				
Back EMF Constant	mV/rpm				
No of Poles		4	4	4	8 Poles available



Phase diagram seen from output shaft

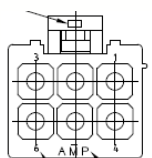
Planetary Gear Box Parameters (P6)								
Part No: -nnP6		-4P6	-13P6	-18P6	-47P6	-55P6	-65P6	-77P6
Gear Ratio		4.25	13	18	46.8	55	65	77
Rated Torque	Nm	6	27	27	32	32	32	32
Peak Torque	Nm	12	54	54	64	64	64	64
Length (L)	mm	39	55	55	71	71	71	71
No. of Stage		1	2	2	3	3	3	3
Effeciency	%	96	94	94	90	90	90	90



Hall Sensor: SS41 Honeywell
<http://www.inovamicro.com/support/SS41.pdf>

Encoder Parameters				
Part No: -OEenn		-OE500	-OE1000	-OE2500
Resolution	PPR	500	1000	2500
Power Supply	V	5	5	5
Max Frequency	KHz	125	125	125
Index Pulse		Yes	Yes	Yes

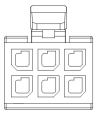
Motor Connector (AMP 172168-1)						
Pin	1	2	3	4	5	6
Color	YL	GN	-	BU	BK	-
Signal	U	V	-	W	SHD	-



Motor Connectors (AMP 172168-1)
http://www.inovamicro.com/support/172168_1.pdf

Hall Sensor Connector (AMP 794617-6)						
Pin	1	2	3	4	5	6
Color	GB	YL	BK	YB	GN	WH
Signal	0V	U	SHD	5V	V	W

Encoder Connector (AMP 794617-6)						
Pin	1	2	3	4	5	6
Color	BK	GY	BK	RD	BN	OR
Signal	0V	A	SHD	5V	B	I



Sensor Connectors (AMP 794617-6)
<http://www.inovamicro.com/support/micromatenlock.pdf>

Order Information					
Model No	-Voltage	-Gearbox	-Feedback Device	-Brake	- Customized Code
BLM-80110	-48	-4P6	-OE1000	-B	

Driver Electronics		
Part Number		
iMOTO-1	http://www.inovamicro.com/imoto.html	
iMOTO-2	http://www.inovamicro.com/imoto.html	

Please find the ordering options from the Part No in the parameter tables above. For customizations, please contact sales@inovamicro.com

*All parameters are subject to changes without prior notice. © INOVA Microsystems Pte Ltd (E0730) <http://www.inovamicro.com>