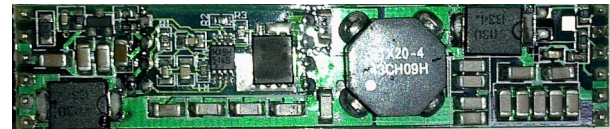


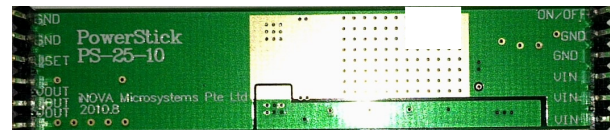
PS-25-10 Universal DC-DC Converter

Key Features

- **ANY** Input voltage from 3.6V-25VDC
- **ANY** Output voltage from 2V-25V DC.
- **10 Watt** Continuous power output
- **Output Voltage Adjustable by external resistors**
- **Compact** size of 71mmX15mm



Top

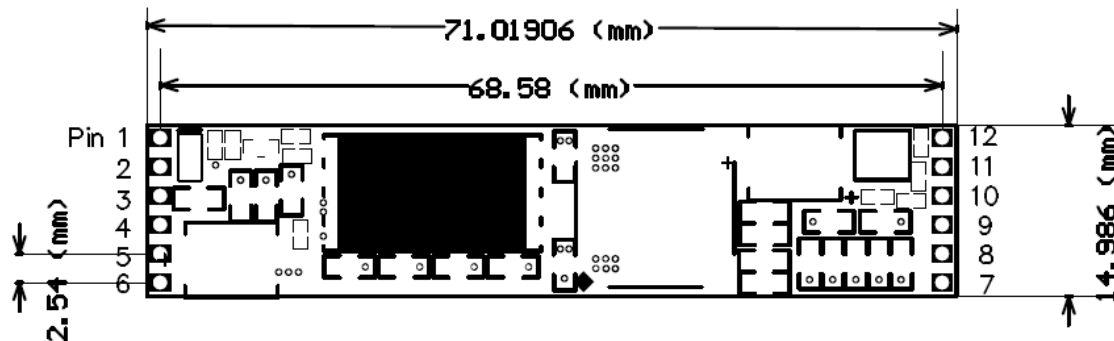


Bottom View

Descriptions and Applications

PS-25-10 PowerStick is a miniature high power DC-DC conversion module with both Step-up and Step-down capability. It is able to generate any voltage output from 3.6V to 25V voltage source. The voltage remain constant in the case when the supply voltage varies drastically.

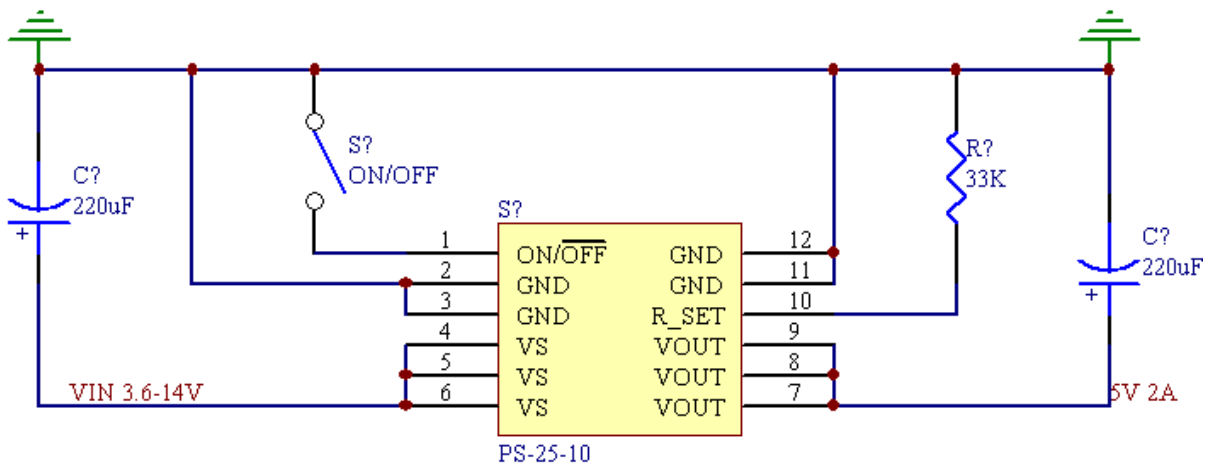
Typical application including robotics, semiconductor test equipment, point of load application etc.



Pin Assignment

Pin	Description
1 (ON/OFF)	Connect to GND to OFF the module. Leave it open to ON the module
2,3,11,12 (GND)	Ground
4,5,6 (VS)	Voltage Supply
10 (R_SET)	Connect this pin to GND via a resistor to set the output voltage (Do NOT use this pin for self-adjustable version of modules) $R_SET = 126 / (V_OUT - 1.26)$ (Kohm)
7,8,9 (V_OUT)	Output Voltage

Typical Application Circuit



Technical Specification

Item	Specification	
Power Supply Voltage	3.6-25V	
Voltage Output Range	2V – 25V	
Max Power	10 Watt	

Ordering Information

Our Part No.	Description	Price
PS-25-10	Power Stick standard version	
PS-25-10-TRIM	Power Stick self-adjustable version	
Manufacturer: iNOVA Microsystems Pte Ltd #06-30, NorthStar @ AMK 7030 Ang Mo Kio Ave 5 Singapore 569880 Tel: (65)65703826 Fax: (65)62344235 http://www.inovamicro.com Email: sales@inovamicro.com		Authorized Sole Distributor: Worldwide: iNOVA Microsystems Pte Ltd