



DC motors 1W - 100W General catalogue

MOTOR SHAPE	15mm~	20mm~	25mm~	30mm~	40mm~	50mm~	60mm~	
Flat type	Ø15		FF-050S P.3 UC-130 P.5 FE-130 P.6 PC-130 P.4	FF-180 P.7				
	Ø24		PC-260 P.8 UE-260 P.10 UC-260 P.11	PC-280 P.9 UC-280 P.12 DC-280S P.13				
Round type	Ø10		RF-130 P.21 O P.14 Q P.15	R P.16	RF-1230 P.20			
	Ø20		FE-140 P.22 RF-310 P.27 S P.17		RF-370 P.28 FE-260 P.23 FC-260 P.24 FE-280 P.25 FC-280 P.26 270 P.29 370C P.30 370S P.31	V P.18		
	Ø25			A P.19	M3N P.32 M5N P.33 M3FN P.34 M5FN P.35 M-AA P.36 M-BB P.37 L3N P.38 L5N P.39 L3FN P.40 L5FN P.41 L-DD P.42	J3 P.43 J5 P.44 J3FN P.45 J5FN P.46		
	Ø30	RF-500 P.47		GR P.48		H3SFN P.51 H5FN P.52	H3SN P.49 H5N P.50 H12 P.53 K3N P.54 K5N P.55 K3SFN P.56 K5FN P.57 K12N P.58 KA P.61	N3SFN P.59 N5FN P.60
	Ø40						750 P.62 755 P.63	770 P.64 775 P.65 987 P.66

FF-050S SERIES

DC-motors brush type low voltage designed especially for low cost and mass production. The motors are available with carbon or metal brushes and with integral emc filters as varistor and or capacitors. Please see the last part code digits shown in price list. Applications include scanners, mirrors, locks, toys, consumer goods, automotive, cameras, medical, HVAC, fans, vending machines, office machines, pumps, tools etc. The motors are available also with gear heads and customization is welcome.

FF-050S SERIES

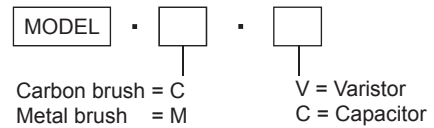


TRANSMOTEC SWEDEN AB

MOTOR SPECIFICATIONS

- Low cost
- Integral ems filter varistor capacitor
- Sleeve bearings
- Carbon or metal brush
- Ambient operating temperature -10..+60°C
- Customization is welcome

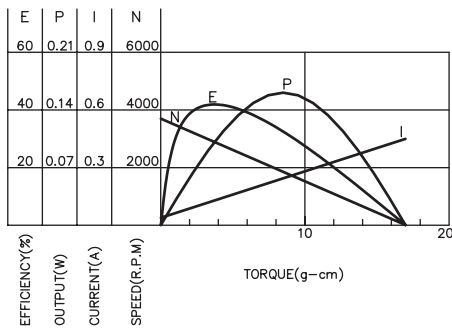
MODEL NO. DESIGNATIONS



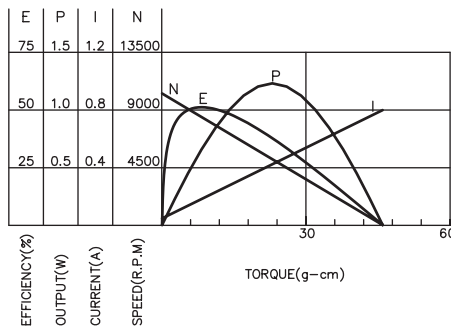
MOTOR DATA

MODEL	VOLTAGE		NO LOAD		AT MAXIMUM EFFICIENCY						STALL		
	OPERATING RANGE	NOMINAL	SPEED	CURRENT	SPEED	CURRENT	TORQUE	OUTPUT	EFF	CURRENT	TORQUE		
			rpm	A	rpm	A	g-cm	mN-m	W	%	A	g-cm	mN-m
FF-050S-13130	2.0 - 4.0	2.0V CONSTANT	3700	0.038	3000	0.11	3.0	0.29	0.09	41.97	0.45	17	1.67
FF-050S-11170	1.5 - 9.0	7.0V CONSTANT	10300	0.046	8500	0.17	7.0	0.69	0.61	51.30	0.80	46	4.51
FF-050S-09250	5.0 - 11.5	8.0V CONSTANT	7900	0.027	6300	0.11	7.0	0.69	0.45	51.40	0.42	35	3.43
FF-050S-08220Y	9.0 - 18.0	12.0V CONSTANT	8000	0.050	6270	0.09	5.0	0.49	0.32	31.50	0.21	23	2.25

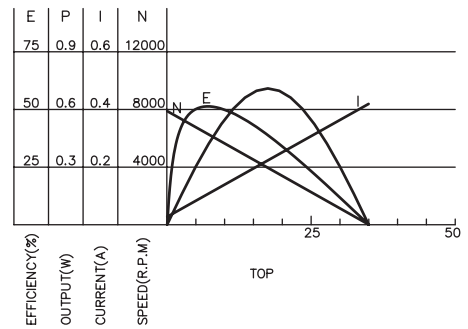
FF-050S-13130 2.0V



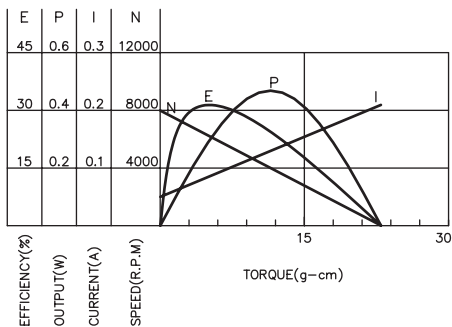
FF-050S-11170 7.0V



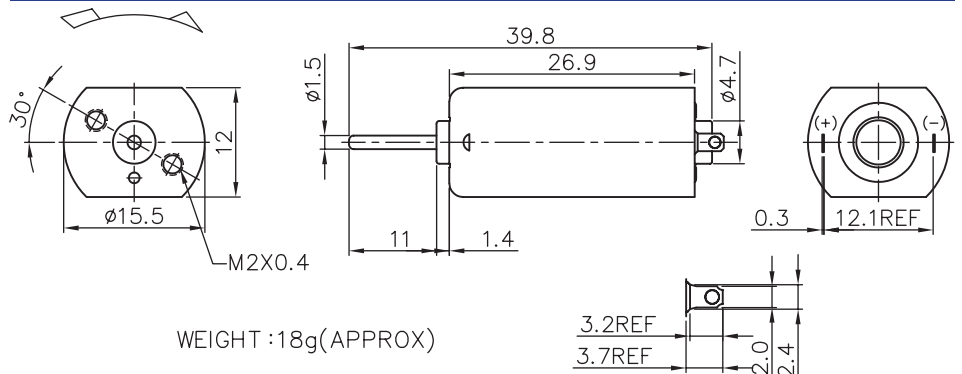
FF-050S-09250 8.0V



FF-050S-08220Y 12.0V



APPEARANCE SIZE



PC-130 SERIES

DC-motors brush type low voltage designed especially for low cost and mass production. The motors are available with carbon or metal brushes and with integral emc filters as varistor and or capacitors. Please see the last part code digits shown in price list. Applications include scanners, mirrors, locks, toys, consumer goods, automotive, cameras, medical, HVAC, fans, vending machines, office machines, pumps, tools etc. The motors are available also with gear heads and customization is welcome.

PC-130 SERIES

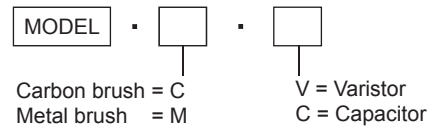


TRANSMOTEC SWEDEN AB

MOTOR SPECIFICATIONS

- Low cost
- Integral ems filter varistor capacitor
- Sleeve bearings
- Carbon or metal brush
- Ambient operating temperature -10..+60°C
- Customization is welcome

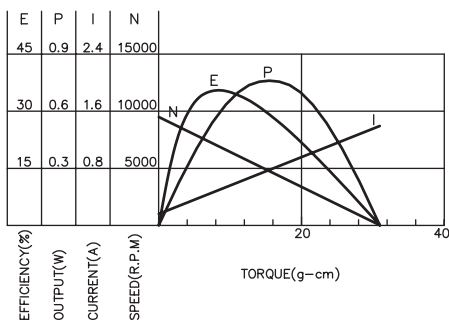
MODEL NO. DESIGNATIONS



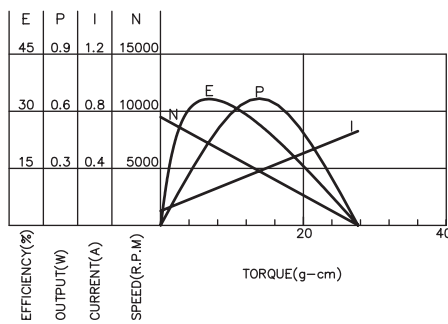
MOTOR DATA

MODEL	VOLTAGE		NO LOAD		AT MAXIMUM EFFICIENCY						STALL		
	OPERATING RANGE	NOMNAL	SPEED	CURRENT	SPEED	CURRENT	TORQUE	OUTPUT	EFF	CURRENT	TORQUE		
			rpm	A	rpm	A	g-cm	mN-m	W	%	A	g-cm	mN-m
PC-130F-18120T-N	3.0 - 4.5	3.0V CONSTANT	9500	0.16	6260	0.505	8.10	0.79	0.52	35.63	1.40	31.00	3.04
PC-130F-12240T-N	3.0 - 9.0	6.0V CONSTANT	9500	0.10	6800	0.254	6.95	0.68	0.49	33.39	0.66	27.70	2.72
PC-130SF-09400T-N	6.0 - 24.0	12.0V CONSTANT	7000	0.06	5130	0.150	14.32	1.40	0.75	42.50	0.45	57.70	5.66
PC-130SF-09480T-N	6.0 - 24.0	12.0V CONSTANT	6000	0.05	4800	0.108	12.33	1.21	0.61	49.60	0.37	55.00	5.39

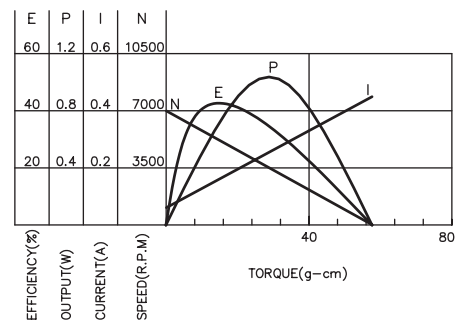
PC-130F-18120T-N 3.0V



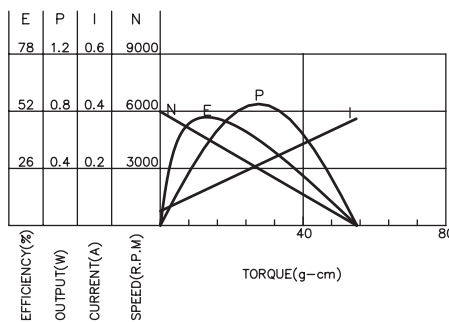
PC-130F-12240T-N 6.0V



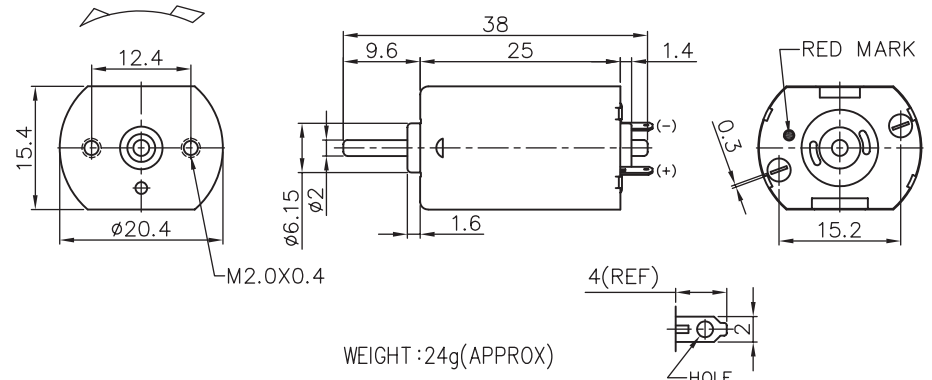
PC-130SF-09400T-N 12.0V



PC-130SF-09480T-N 12.0V



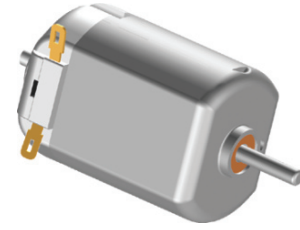
APPEARANCE SIZE



UC-130 SERIES

DC-motors brush type low voltage designed especially for low cost and mass production. The motors are available with carbon or metal brushes and with integral emc filters as varistor and or capacitors. Please see the last part code digits shown in price list. Applications include scanners, mirrors, locks, toys, consumer goods, automotive, cameras, medical, HVAC, fans, vending machines, office machines, pumps, tools etc. The motors are available also with gear heads and customization is welcome.

UC-130 SERIES

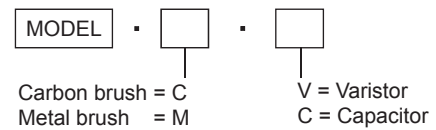


TRANSMOTEC SWEDEN AB

MOTOR SPECIFICATIONS

- Low cost
- Integral ems filter varistor capacitor
- Sleeve bearings
- Carbon or metal brush
- Ambient operating temperature -10..+60°C
- Customization is welcome

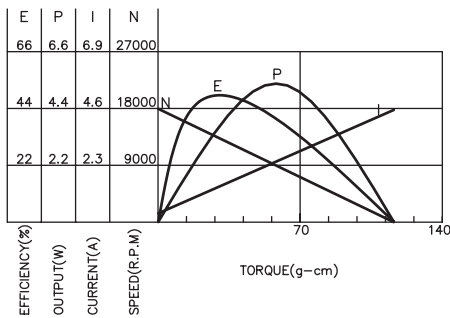
MODEL NO. DESIGNATIONS



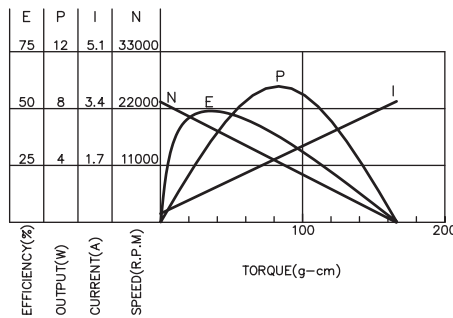
MOTOR DATA

MODEL	VOLTAGE		NO LOAD		AT MAXIMUM EFFICIENCY						STALL		
	OPERATING RANGE	NOMNAL	SPEED	CURRENT	SPEED	CURRENT	TORQUE	OUTPUT	EFF	CURRENT	TORQUE		
			rpm	A	rpm	A	g-cm	mN-m	W	%	A	g-cm	mN-m
UC-130S-2280P	1.5 - 6.0	6.0V CONSTANT	18000	0.350	13055	1.34	28	2.74	3.82	49	4.55	116	11.37
UC-130S-19140P	6.0 - 12.0	12.0V CONSTANT	22250	0.250	16978	1.05	34	3.33	6.07	49	0.52	55	5.39
UC-130S-09350-N	6.0 - 12.0	12.0V CONSTANT	8200	0.075	6382	0.17	15	1.47	1.03	50	0.54	64	6.27
UC-130S-10380-N	6.0 - 14.4	13.0V CONSTANT	8600	0.070	6006	0.23	21	2.06	1.30	44	0.62	71	6.96

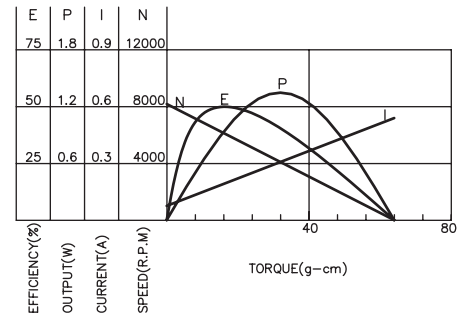
UC-130S-2280P 6.0V



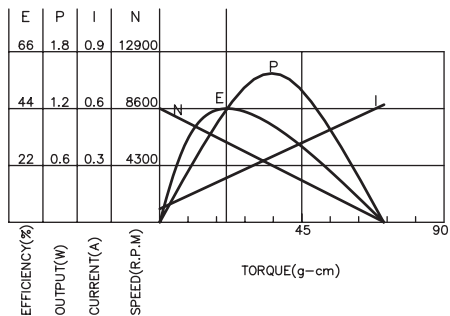
UC-130S-19140P 12.0V



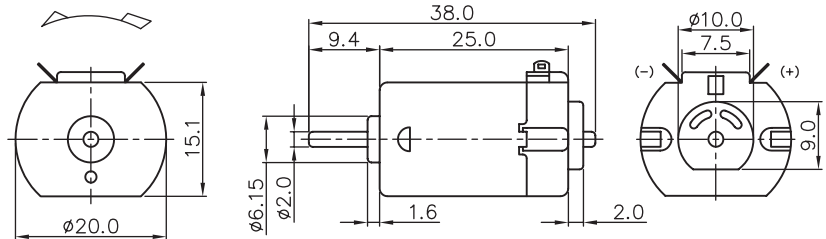
UC-130S-09350-N 13.0V



UC-130S-10380-N 12.0V



APPEARANCE SIZE

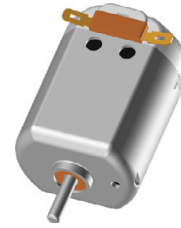


WEIGHT : 17g (APPROX)

FE-130 SERIES

DC-motors brush type low voltage designed especially for low cost and mass production. The motors are available with carbon or metal brushes and with integral emc filters as varistor and or capacitors. Please see the last part code digits shown in price list. Applications include scanners, mirrors, locks, toys, consumer goods, automotive, cameras, medical, HVAC, fans, vending machines, office machines, pumps, tools etc. The motors are available also with gear heads and customization is welcome.

FE-130 SERIES

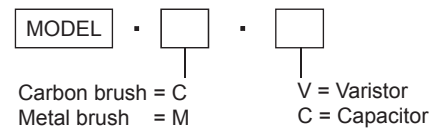


TRANSMOTEC SWEDEN AB

MOTOR SPECIFICATIONS

- Low cost
- Integral ems filter varistor capacitor
- Sleeve bearings
- Carbon or metal brush
- Ambient operating temperature -10..+60°C
- Customization is welcome

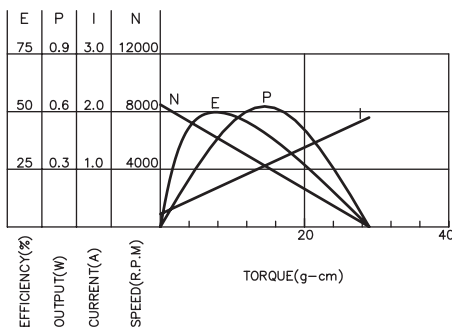
MODEL NO. DESIGNATIONS



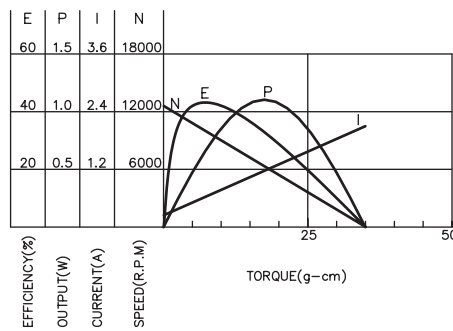
MOTOR DATA

MODEL	VOLTAGE		NO LOAD		AT MAXIMUM EFFICIENCY						STALL		
	OPERATING RANGE	NOMINAL	SPEED	CURRENT	SPEED	CURRENT	TORQUE	OUTPUT	EFF	CURRENT	TORQUE		
			rpm	A	rpm	A	g-cm	mN-m	W	%	A	g-cm	mN-m
FE-130-2270	1.2 - 4.5	1.5V CONSTANT	8500	0.22	6400	0.65	7.36	0.72	0.48	49.98	1.90	29	2.84
FE-130-18100	1.2 - 4.5	3.0V CONSTANT	12400	0.20	9900	0.55	7.06	0.69	0.71	43.36	2.10	35	3.43
FE-130-15160	1.2 - 6.0	3.0V CONSTANT	7900	0.09	6000	0.28	6.38	0.63	0.39	46.86	0.90	27	2.65
FE-130S-12230	1.2 - 7.5	3.0V CONSTANT	3800	0.06	3139	0.11	5.10	0.50	0.16	60.00	0.40	25	2.45

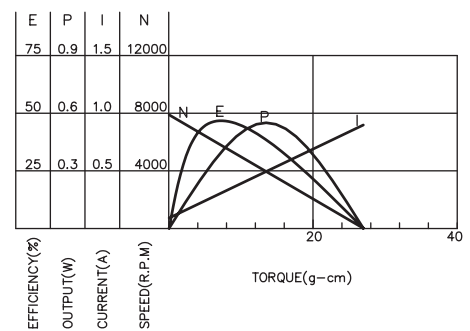
FE-130-2270 1.5V



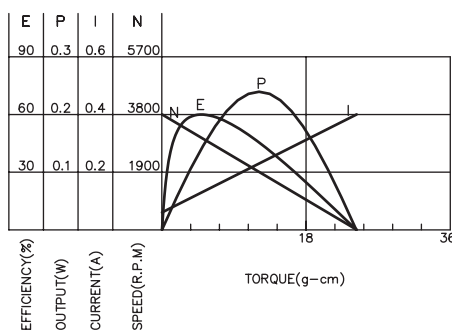
FE-130-18100 3.0V



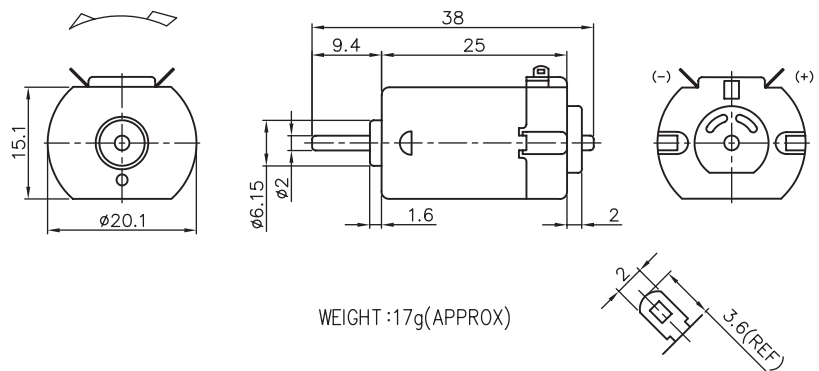
FE-130-15160 3.0V



FE-130S-12230 3.0V



APPEARANCE SIZE



FF-180 SERIES

DC-motors brush type low voltage designed especially for low cost and mass production. The motors are available with carbon or metal brushes and with integral emc filters as varistor and or capacitors. Please see the last part code digits shown in price list. Applications include scanners, mirrors, locks, toys, consumer goods, automotive, cameras, medical, HVAC, fans, vending machines, office machines, pumps, tools etc. The motors are available also with gear heads and customization is welcome.

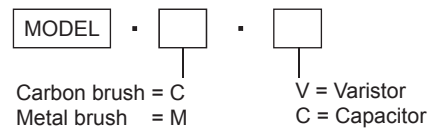


TRANSMOTEC SWEDEN AB

MOTOR SPECIFICATIONS

- Low cost
- Integral ems filter varistor capacitor
- Sleeve bearings
- Carbon or metal brush
- Ambient operating temperature -10..+60°C
- Customization is welcome

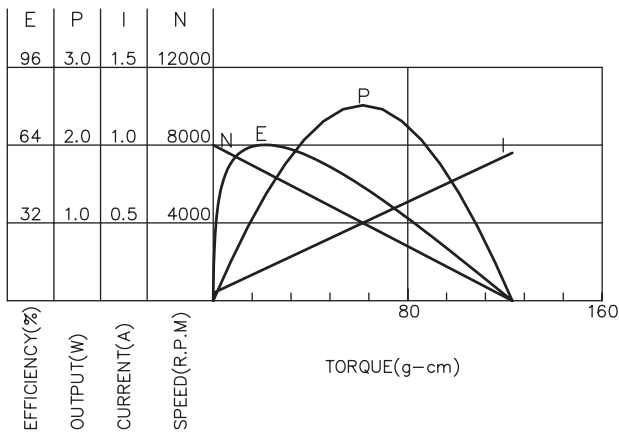
MODEL NO. DESIGNATIONS



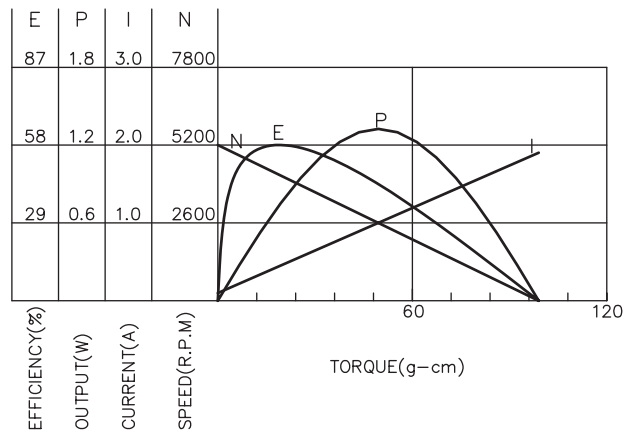
MOTOR DATA

MODEL	VOLTAGE		NO LOAD		AT MAXIMUM EFFICIENCY						STALL		
	OPERATING RANGE	NOMNAL	SPEED	CURRENT	SPEED	CURRENT	TORQUE	OUTPUT	EFF	CURRENT	TORQUE		
			rpm	A	rpm	A	g-cm	mN-m	W	%	A	g-cm	mN-m
FF-180SH-12250T	12.0 - 24.0	12.0V CONSTANT	8000	0.05	7047	0.18	18.39	1.80	1.33	64	0.95	123	12.06
FF-180SH-22100T	3.0 - 12.0	3.0V CONSTANT	5200	0.10	4108	0.43	17.91	1.76	0.75	58	1.90	99	9.71

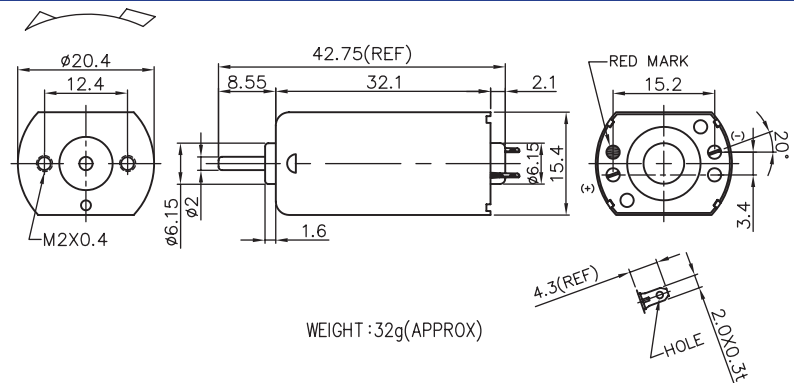
FF-180SH-12250T 12.0V



FF-180SH-22100T 3.0V



APPEARANCE SIZE



PC-280 SERIES

DC-motors brush type low voltage designed especially for low cost and mass production. The motors are available with carbon or metal brushes and with integral emc filters as varistor and or capacitors. Please see the last part code digits shown in price list. Applications include scanners, mirrors, locks, toys, consumer goods, automotive, cameras, medical, HVAC, fans, vending machines, office machines, pumps, tools etc. The motors are available also with gear heads and customization is welcome.

PC-280 SERIES

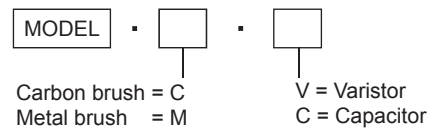


TRANSMOTEC SWEDEN AB

MOTOR SPECIFICATIONS

- Low cost
- Integral ems filter varistor capacitor
- Sleeve bearings
- Carbon or metal brush
- Ambient operating temperature -10..+60°C
- Customization is welcome

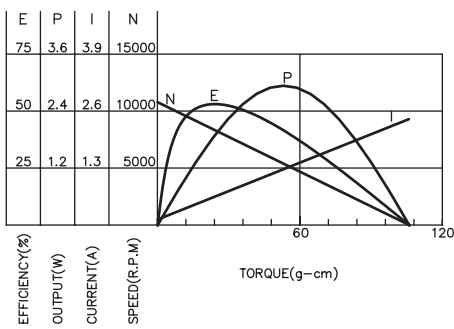
MODEL NO. DESIGNATIONS



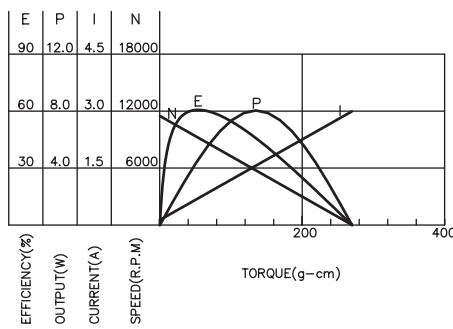
MOTOR DATA

MODEL	VOLTAGE		NO LOAD		AT MAXIMUM EFFICIENCY					STALL			
	OPERATING RANGE	NOMNAL	SPEED	CURRENT	SPEED	CURRENT	TORQUE	OUTPUT	EFF	CURRENT	TORQUE		
			rpm	A	rpm	A	g-cm	mN-m	W	%	A	g-cm	mN-m
PC-280-20125-N	3.0 - 9.0	6.0V CONSTANT	10800	0.18	8525	0.64	23	2.25	2.04	53	2.42	106	10.39
PC-280P-19160-N	6.0 - 12.0	12.0V CONSTANT	11500	0.13	8700	0.58	45	4.41	4.10	60	3.00	270	26.47
PC-280P-16200-N	6.0 - 12.0	12.0V CONSTANT	9100	0.10	7429	0.45	43	4.22	3.29	64	2.00	241	23.63
PC-260P-20150-N	12.0 - 24.0	12.0V CONSTANT	12300	0.12	10352	0.72	53	5.20	5.64	66	3.86	334	32.75

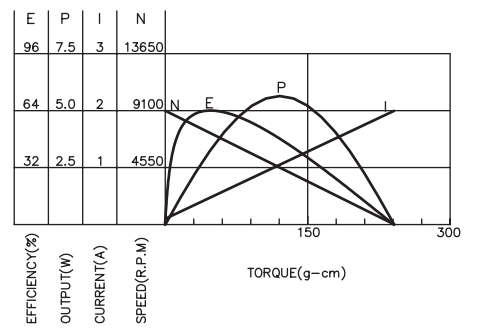
PC-280-20125-N 6.0V



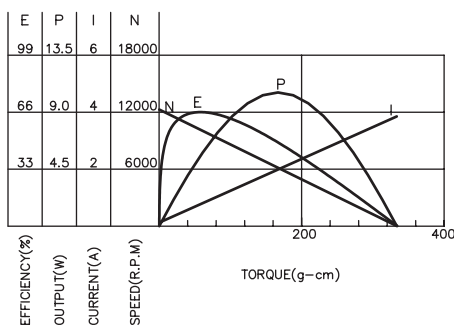
PC-280P-19160-N 12.0V



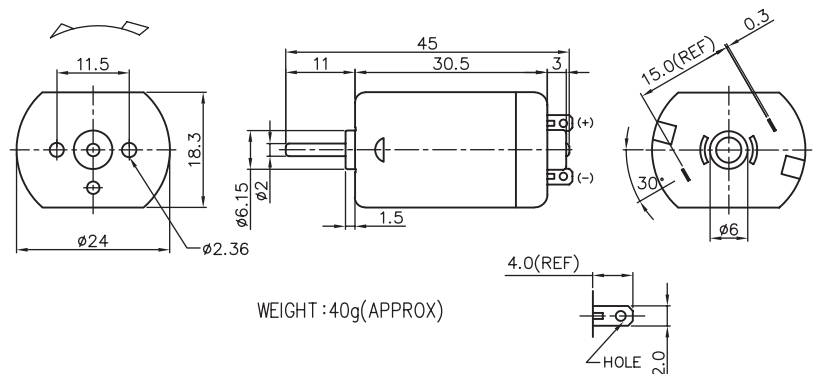
PC-280P-16200-N 12.0V



PC-280P-20150-N 12.0V



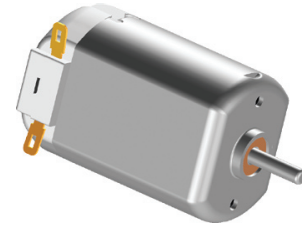
APPEARANCE SIZE



UE-260 SERIES

DC-motors brush type low voltage designed especially for low cost and mass production. The motors are available with carbon or metal brushes and with integral emc filters as varistor and or capacitors. Please see the last part code digits shown in price list. Applications include scanners, mirrors, locks, toys, consumer goods, automotive, cameras, medical, HVAC, fans, vending machines, office machines, pumps, tools etc. The motors are available also with gear heads and customization is welcome.

UE-260 SERIES

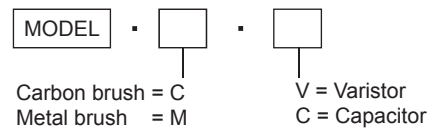


TRANSMOTEC SWEDEN AB

MOTOR SPECIFICATIONS

- Low cost
- Integral ems filter varistor capacitor
- Sleeve bearings
- Carbon or metal brush
- Ambient operating temperature -10..+60°C
- Customization is welcome

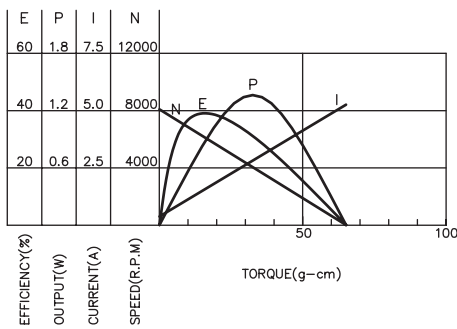
MODEL NO. DESIGNATIONS



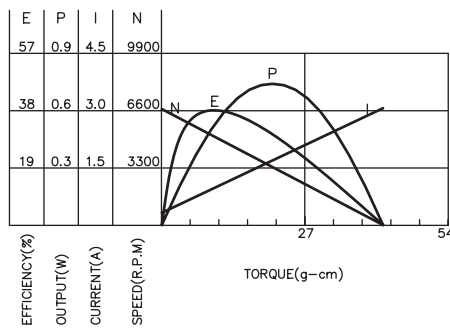
MOTOR DATA

MODEL	VOLTAGE		NO LOAD		AT MAXIMUM EFFICIENCY						STALL		
	OPERATING RANGE	NOMNAL	SPEED	CURRENT	SPEED	CURRENT	TORQUE	OUTPUT	EFF	CURRENT	TORQUE		
			rpm	A	rpm	A	g-cm	mN-m	W	%	A	g-cm	mN-m
UE-260-2838	1.5 - 2.4	1.5V CONSTANT	8100	0.37	5600	1.57	15.51	1.52	0.89	39.03	5.27	65.24	6.40
UE-260-2850	1.5 - 3.0	1.5V CONSTANT	6700	0.32	5285	1.02	9.43	0.92	0.51	38.00	3.07	43.04	4.22
UE-260-2290	1.5 - 4.5	3.0V CONSTANT	8100	0.17	6400	0.62	12.89	1.26	0.85	47.13	2.63	74.62	7.32
UE-260-20120	1.5 - 4.5	3.0V CONSTANT	5900	0.13	4780	0.45	12.90	1.26	0.63	49.82	1.72	66.06	6.48

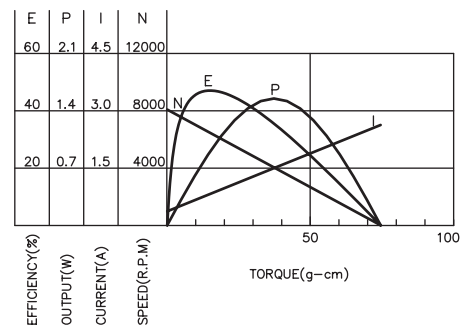
UE-260-2838 1.5V



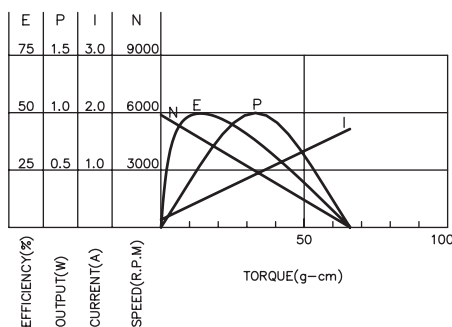
UE-260-2850 1.5V



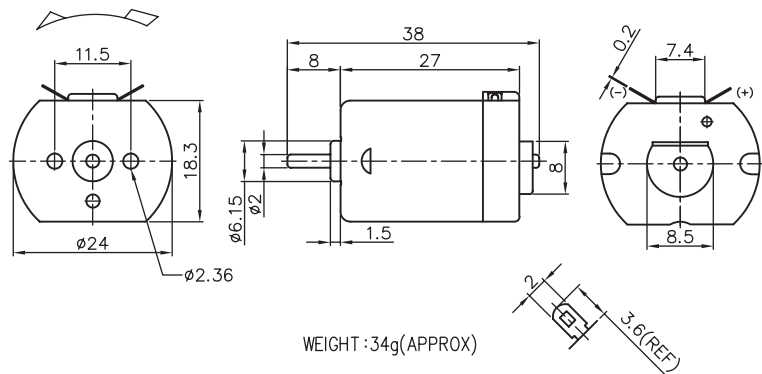
UE-260-2290 3.0V



UE-260-20120 3.0V



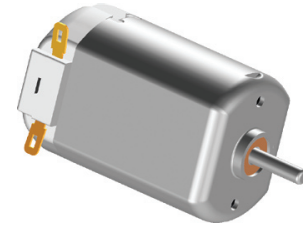
APPEARANCE SIZE



UC-260 SERIES

DC-motors brush type low voltage designed especially for low cost and mass production. The motors are available with carbon or metal brushes and with integral emc filters as varistor and or capacitors. Please see the last part code digits shown in price list. Applications include scanners, mirrors, locks, toys, consumer goods, automotive, cameras, medical, HVAC, fans, vending machines, office machines, pumps, tools etc. The motors are available also with gear heads and customization is welcome.

UC-260 SERIES

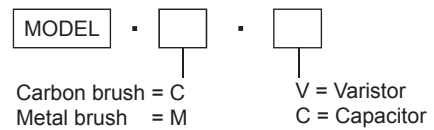


TRANSMOTEC SWEDEN AB

MOTOR SPECIFICATIONS

- Low cost
- Integral ems filter varistor capacitor
- Sleeve bearings
- Carbon or metal brush
- Ambient operating temperature -10..+60°C
- Customization is welcome

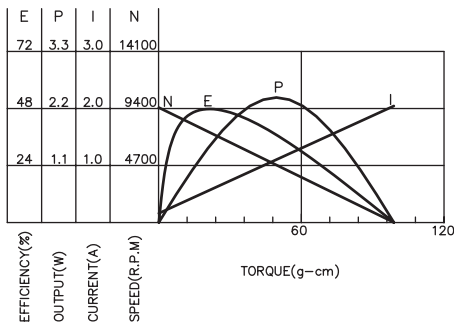
MODEL NO. DESIGNATIONS



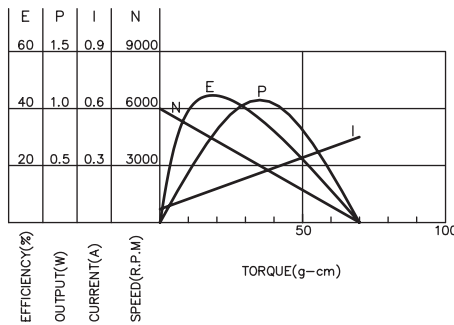
MOTOR DATA

MODEL	VOLTAGE		NO LOAD		AT MAXIMUM EFFICIENCY					STALL			
	OPERATING RANGE	NOMNAL	SPEED	CURRENT	SPEED	CURRENT	TORQUE	OUTPUT	EFF	CURRENT	TORQUE		
			rpm	A	rpm	A	g-cm	mN-m	W	%	A	g-cm	mN-m
UC-260-18160-N	3.0 - 9.0	6.0V CONSTANT	9500	0.16	7380	0.53	20	1.96	1.52	48	2.05	99	9.71
UC-260S-09400-N	12.0 - 24.0	12.0V CONSTANT	6000	0.07	4520	0.15	17	1.66	0.80	44	0.45	70	6.86
UC-260S-2665P	3.0 - 9.0	4.5V CONSTANT	14000	0.32	10893	1.82	40	3.92	4.48	55	6.76	174	17.06
UC-260S-12300P	12.0 - 24.0	24.0V CONSTANT	17300	0.10	14000	0.37	39	3.82	5.62	62	1.62	200	19.61

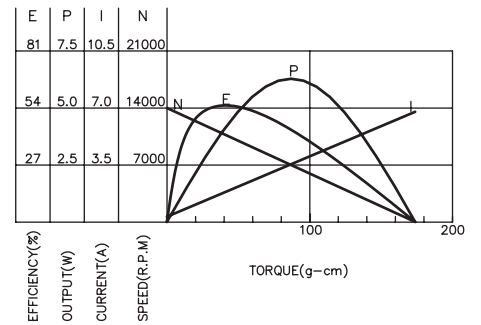
UC-260-18160-N 6.0V



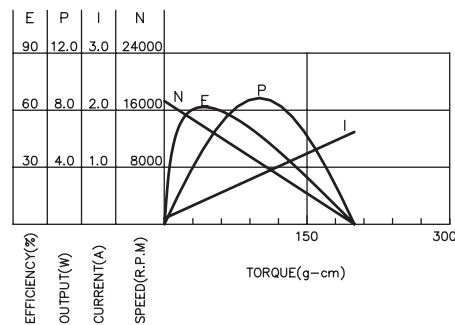
UC-260S-09400-N 12.0V



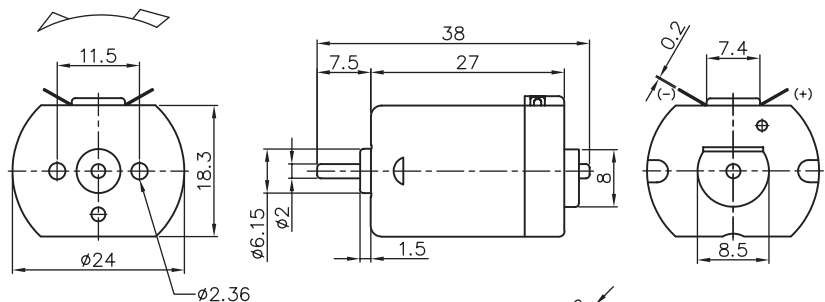
UC-260S-2665P 4.5V



UC-260S-12300P 24.0V



APPEARANCE SIZE



WEIGHT : 34g(APPROX)

UC-280 SERIES

DC-motors brush type low voltage designed especially for low cost and mass production. The motors are available with carbon or metal brushes and with integral emc filters as varistor and or capacitors. Please see the last part code digits shown in price list. Applications include scanners, mirrors, locks, toys, consumer goods, automotive, cameras, medical, HVAC, fans, vending machines, office machines, pumps, tools etc. The motors are available also with gear heads and customization is welcome.

UC-280 SERIES

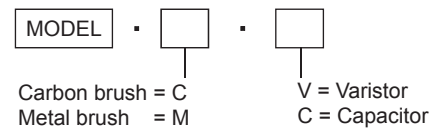


TRANSMOTEC SWEDEN AB

MOTOR SPECIFICATIONS

- Low cost
- Integral ems filter varistor capacitor
- Sleeve bearings
- Carbon or metal brush
- Ambient operating temperature -10..+60°C
- Customization is welcome

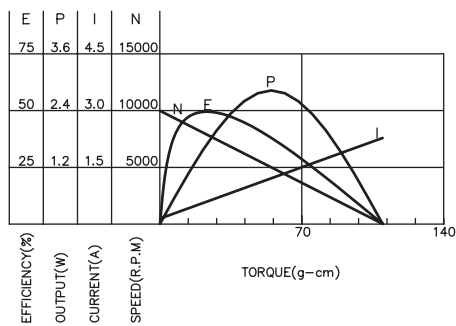
MODEL NO. DESIGNATIONS



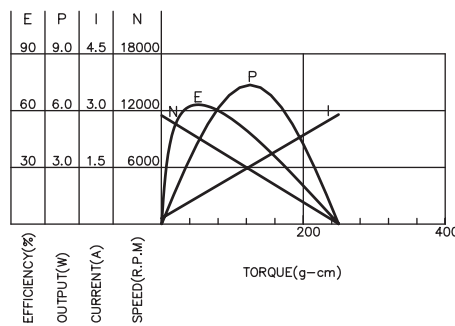
MOTOR DATA

MODEL	VOLTAGE		NO LOAD		AT MAXIMUM EFFICIENCY					STALL			
	OPERATING RANGE	NOMNAL	SPEED	CURRENT	SPEED	CURRENT	TORQUE	OUTPUT	EFF	CURRENT	TORQUE		
			rpm	A	rpm	A	g-cm	mN-m	W	%	A	g-cm	mN-m
UC-280-20125-N	3.0 - 9.0	6.0V CONSTANT	10000	0.14	7600	0.52	19	1.86	1.51	49	2.28	110	10.78
UC-280P-19160-N	6.0 - 12.0	12.0V CONSTANT	11500	0.15	9000	0.57	46	4.51	4.30	63	2.90	250	24.51
UC-280P-12285-N	6.0 - 24.0	24.0V CONSTANT	10300	0.09	10183	0.37	49	4.80	5.19	59	1.54	255	25.00
UC-280P-16175-N	6.0 - 12.0	12.0V CONSTANT	10100	0.09	8110	0.45	37	3.63	3.13	61	1.94	202	19.80

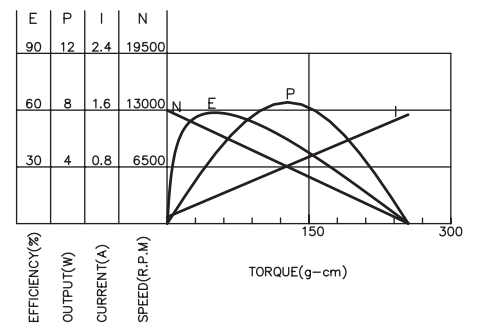
UC-280-20125-N 6.0V



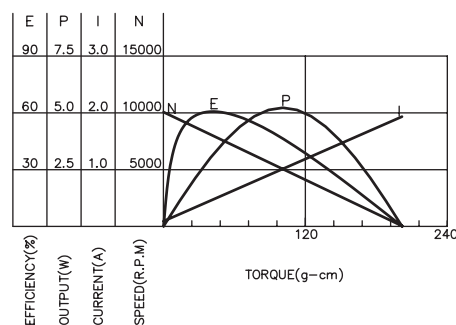
UC-280P-19160-N 12.0V



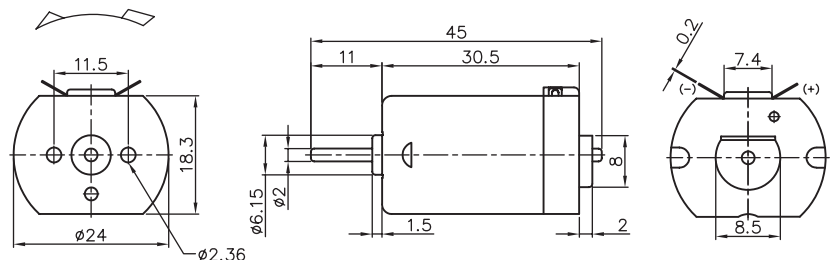
UC-280P-12285-N 24.0V



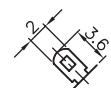
UC-280P-16175-N 12.0V



APPEARANCE SIZE



WEIGHT : 40g(APPROX)



DC-280S SERIES

DC-motors brush type low voltage designed especially for low cost and mass production. The motors are available with carbon or metal brushes and with integral emc filters as varistor and or capacitors. Please see the last part code digits shown in price list. Applications include scanners, mirrors, locks, toys, consumer goods, automotive, cameras, medical, HVAC, fans, vending machines, office machines, pumps, tools etc. The motors are available also with gear heads and customization is welcome.

DC-280s SERIES

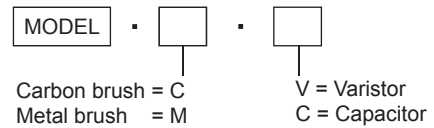


TRANSMOTEC SWEDEN AB

MOTOR SPECIFICATIONS

- Low cost
- Integral ems filter varistor capacitor
- Sleeve bearings
- Carbon or metal brush
- Ambient operating temperature -10..+60°C
- Customization is welcome

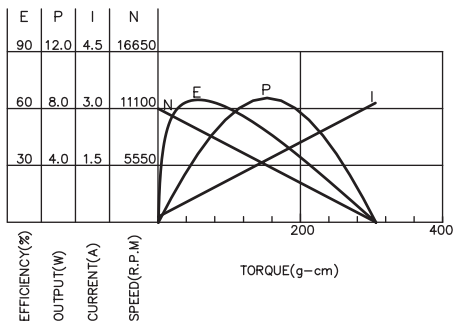
MODEL NO. DESIGNATIONS



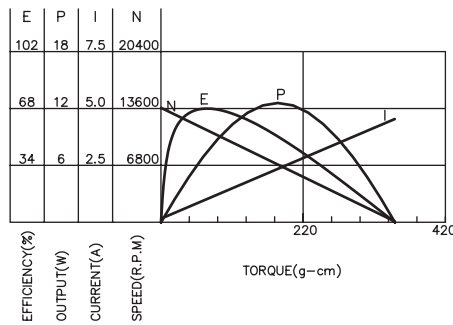
MOTOR DATA

MODEL	VOLTAGE		NO LOAD		AT MAXIMUM EFFICIENCY						STALL		
	OPERATING RANGE	NOMNAL	SPEED	CURRENT	SPEED	CURRENT	TORQUE	OUTPUT	EFF	CURRENT	TORQUE		
			rpm	A	rpm	A	g-cm	mN-m	W	%	A	g-cm	mN-m
DC-280P-19160P	10.0 - 15.0	12.0V CONSTANT	11100	0.14	9372	0.60	48	4.71	4.66	65	3.15	306	30.00
DC-280P-22135P	6.0 - 12.0	12.0V CONSTANT	13700	0.15	11481	0.81	56	5.49	6.68	68	4.45	362	35.49
DC-280P-14310-N	12.0 - 24.0	24.0V CONSTANT	12000	0.07	9615	0.38	58	5.69	5.75	63	1.71	309	30.29
DC-280PT-19150-N	6.0 - 12.0	12.0V CONSTANT	12000	0.12	10277	0.60	46	4.51	4.88	70	3.29	302	29.61

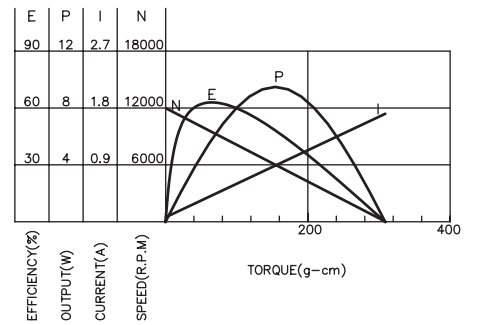
DC-280P-19160P 12.0V



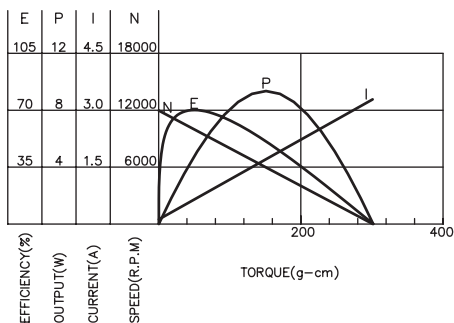
DC-280P-22135P 12.0V



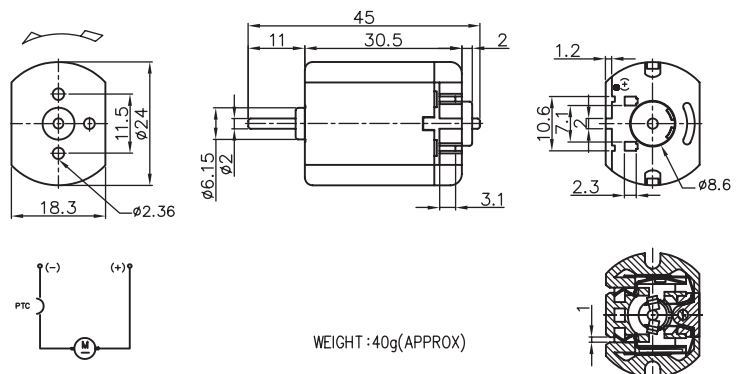
DC-280P-14310-N 24.0V



DC-280PT-19150-N 12.0V



APPEARANCE SIZE



O SERIES

DC-motors brush type low voltage designed especially for low cost and mass production. The motors are available with carbon or metal brushes and with integral emc filters as varistor and or capacitors. Please see the last part code digits shown in price list. Applications include scanners, mirrors, locks, toys, consumer goods, automotive, cameras, medical, HVAC, fans, vending machines, office machines, pumps, tools etc. The motors are available also with gear heads and customization is welcome.

O SERIES

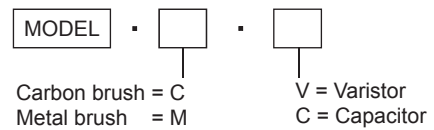


TRANSMOTEC SWEDEN AB

MOTOR SPECIFICATIONS

- Low cost
- Integral ems filter varistor capacitor
- Sleeve bearings
- Carbon or metal brush
- Ambient operating temperature -10..+60°C
- Customization is welcome

MODEL NO. DESIGNATIONS

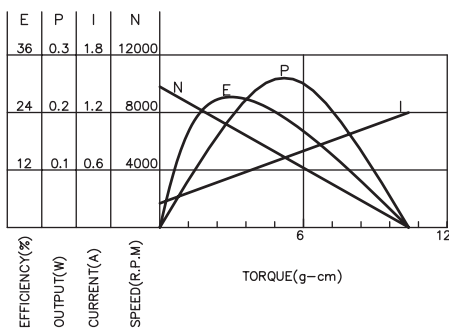


MOTOR DATA

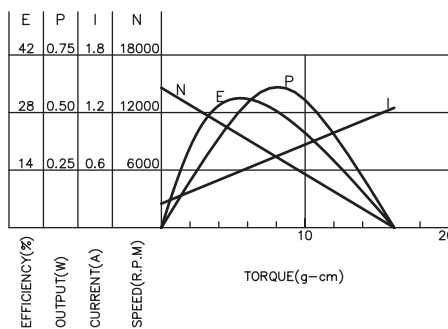
MODEL	VOLTAGE		NO LOAD		AT MAXIMUM EFFICIENCY						STALL		
	OPERATING RANGE	NOMNAL	SPEED	CURRENT	SPEED	CURRENT	TORQUE	OUTPUT	EFF	CURRENT	TORQUE		
			rpm	A	rpm	A	g-cm	mN-m	W	%	A	g-cm	mN-m
XO-1690	1.2 - 1.5	1.5V CONSTANT	9800	0.25	6730	0.55	3.26	0.32	0.23	27.38	1.20	10.40	1.02
XO-14120	1.5 - 3.0	3.0V CONSTANT	14600	0.25	10060	0.55	5.04	0.49	0.52	31.54	1.23	16.21	1.59
XO-10200	3.0 - 4.5	3.0V CONSTANT	9000	0.12	6020	0.24	3.07	0.30	0.19	26.35	0.49	9.27	0.91
CO-09240	3.0 - 6.0	6.0V CONSTANT	17000	0.13	11460	0.27	5.05	0.50	0.59	36.78	0.56	15.49	1.52

*XO&CO ARE SIMILAR STRUCTURE BUT XO IS SINGLE BRUSH CO IS DOUBLE BRUSH (LOW NOISE TYPE)

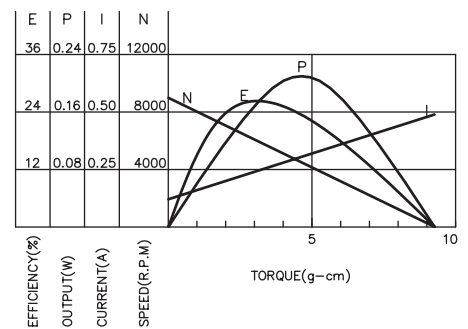
XO-1690 1.5V



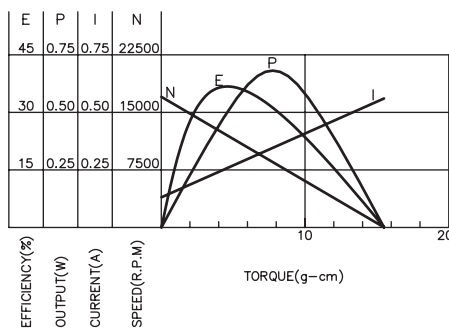
XO-14120 3.0V



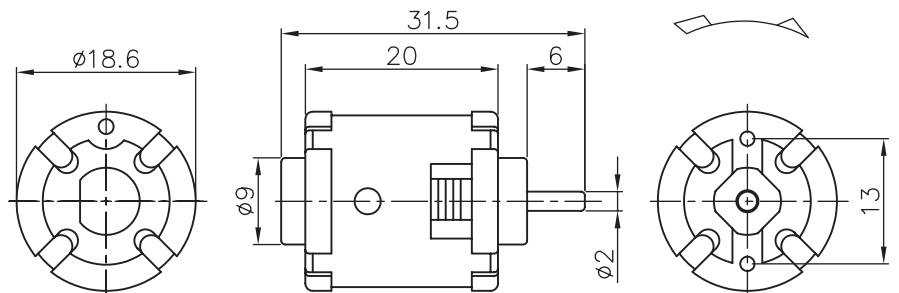
XO-10200 3.0V



CO-09240 6.0V



APPEARANCE SIZE



WEIGHT : 14g (APPROX)

Q SERIES

DC-motors brush type low voltage designed especially for low cost and mass production. The motors are available with carbon or metal brushes and with integral emc filters as varistor and or capacitors. Please see the last part code digits shown in price list. Applications include scanners, mirrors, locks, toys, consumer goods, automotive, cameras, medical, HVAC, fans, vending machines, office machines, pumps, tools etc. The motors are available also with gear heads and customization is welcome.

Q SERIES

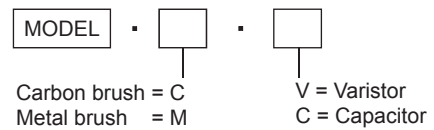


TRANSMOTEC SWEDEN AB

MOTOR SPECIFICATIONS

- Low cost
- Integral ems filter varistor capacitor
- Sleeve bearings
- Carbon or metal brush
- Ambient operating temperature -10..+60°C
- Customization is welcome

MODEL NO. DESIGNATIONS

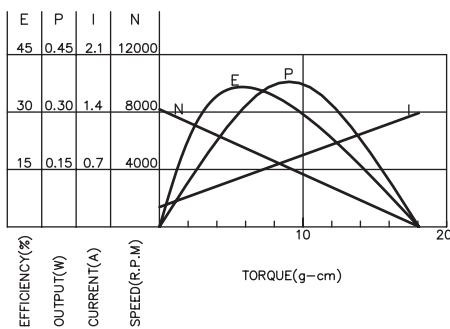


MOTOR DATA

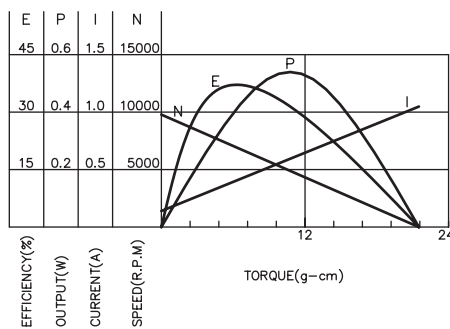
MODEL	VOLTAGE		NO LOAD		AT MAXIMUM EFFICIENCY						STALL		
	OPERATING RANGE	NOMNAL	SPEED	CURRENT	SPEED	CURRENT	TORQUE	OUTPUT	EFF	CURRENT	TORQUE		
			rpm	A	rpm	A	g-cm	mN-m	W	%	A	g-cm	mN-m
XQ-1870	1.5 - 3.0	1.5V CONSTANT	8200	0.24	5790	0.58	5.32	0.52	0.32	36.58	1.39	18.09	1.77
XQ-14120	1.5 - 3.0	3.0V CONSTANT	9800	0.14	7180	0.38	5.75	0.56	0.42	37.17	1.05	21.54	2.11
XQ-10160	3.0 - 4.5	3.0V CONSTANT	7200	0.09	4970	0.20	3.39	0.33	0.17	28.83	0.45	10.97	1.07
CQ-10200	3.0 - 4.5	3.0V CONSTANT	6200	0.08	7280	0.18	3.53	0.35	0.15	29.02	0.40	11.40	1.12

*XQ&CQ ARE SIMILAR STRUCTURE BUT XQ IS SINGLE BRUSH CQ IS DOUBLE BRUSH (LOW NOISE TYPE)

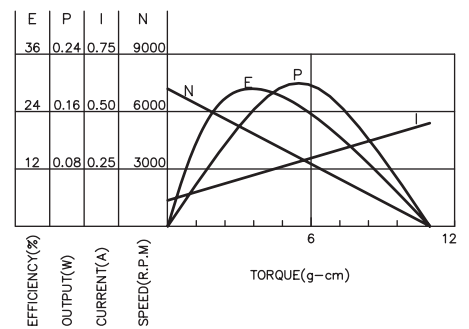
XQ-1870 1.5V



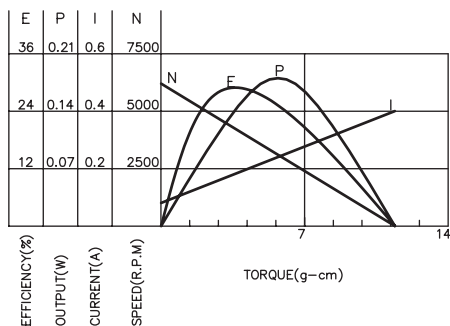
XQ-14120 3.0V



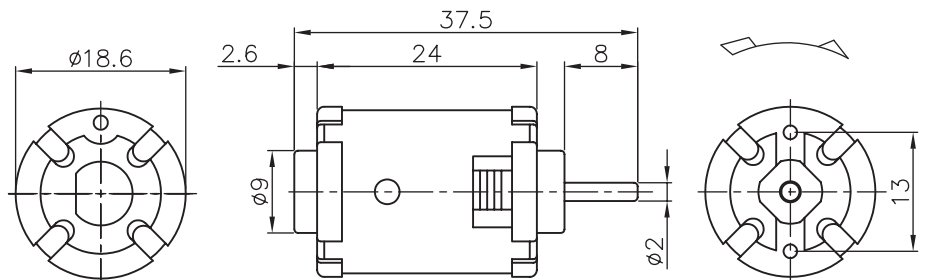
XQ-10160 3.0V



CQ-10200 3.0V



APPEARANCE SIZE



WEIGHT : 18g (APPROX)

R SERIES

DC-motors brush type low voltage designed especially for low cost and mass production. The motors are available with carbon or metal brushes and with integral emc filters as varistor and or capacitors. Please see the last part code digits shown in price list. Applications include scanners, mirrors, locks, toys, consumer goods, automotive, cameras, medical, HVAC, fans, vending machines, office machines, pumps, tools etc. The motors are available also with gear heads and customization is welcome.

R SERIES

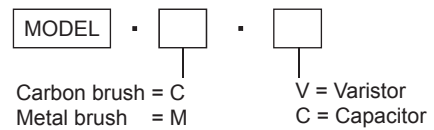


TRANSMOTEC SWEDEN AB

MOTOR SPECIFICATIONS

- Low cost
- Integral ems filter varistor capacitor
- Sleeve bearings
- Carbon or metal brush
- Ambient operating temperature -10..+60°C
- Customization is welcome

MODEL NO. DESIGNATIONS

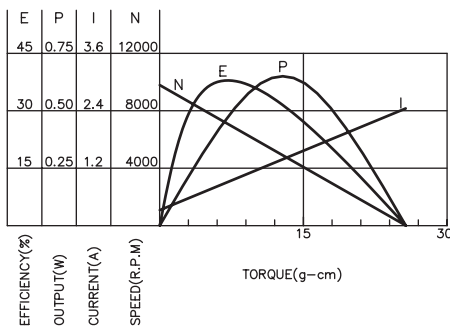


MOTOR DATA

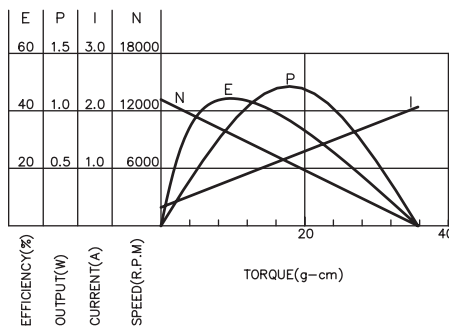
MODEL	VOLTAGE		NO LOAD		AT MAXIMUM EFFICIENCY						STALL		
	OPERATING RANGE	NOMNAL	SPEED	CURRENT	SPEED	CURRENT	TORQUE	OUTPUT	EFF	CURRENT	TORQUE	TORQUE	
			rpm	A	rpm	A	g-cm	mN-m	W	%	A	g-cm	mN-m
XR-2445	1.2 - 1.5	1.5V CONSTANT	9800	0.32	7180	0.89	6.83	0.67	0.50	38.00	2.45	25.72	2.52
XR-1870	1.5 - 3.0	3.0V CONSTANT	13200	0.22	9950	0.68	8.80	0.86	0.90	44.39	2.07	35.79	3.51
CR-14120	1.5 - 4.5	3.0V CONSTANT	8400	0.10	6330	0.30	6.04	0.59	0.39	43.92	0.89	24.05	2.36
CR-12145	3.0 - 4.5	3.0V CONSTANT	6700	0.06	5110	0.18	4.61	0.45	0.24	45.33	0.58	19.51	1.91

*XR&CR ARE SIMILAR STRUCTURE BUT XR IS SINGLE BRUSH CR IS DOUBLE BRUSH(LOW NOISE TYPE)

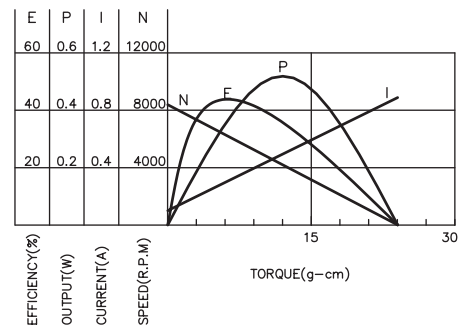
XR-2445 1.5V



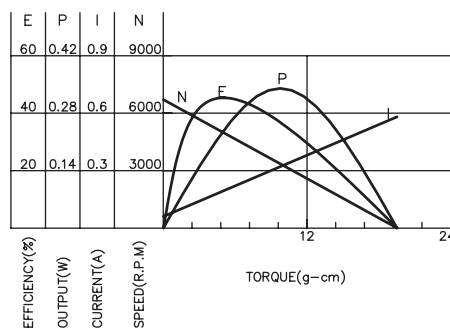
XR-1870 3.0V



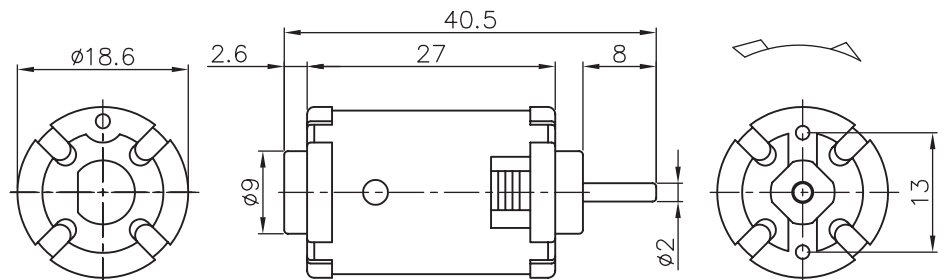
CR-14120 3.0V



CR-12145 3.0V



APPEARANCE SIZE



WEIGHT : 20g(APPROX)

S SERIES

DC-motors brush type low voltage designed especially for low cost and mass production. The motors are available with carbon or metal brushes and with integral emc filters as varistor and or capacitors. Please see the last part code digits shown in price list. Applications include scanners, mirrors, locks, toys, consumer goods, automotive, cameras, medical, HVAC, fans, vending machines, office machines, pumps, tools etc. The motors are available also with gear heads and customization is welcome.

S SERIES

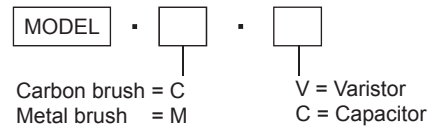


TRANSMOTEC SWEDEN AB

MOTOR SPECIFICATIONS

- Low cost
- Integral ems filter varistor capacitor
- Sleeve bearings
- Carbon or metal brush
- Ambient operating temperature -10..+60°C
- Customization is welcome

MODEL NO. DESIGNATIONS

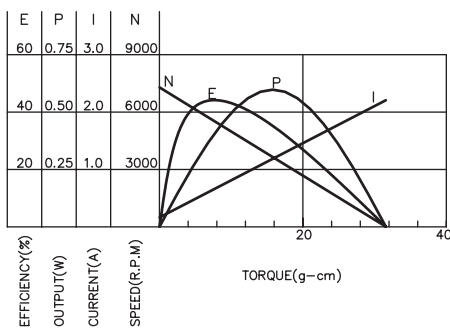


MOTOR DATA

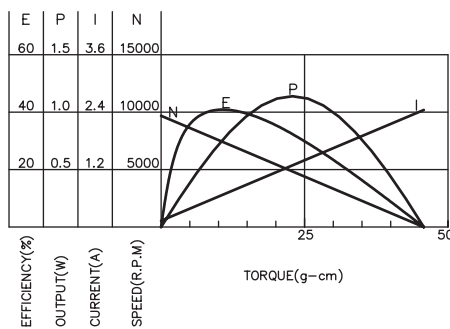
MODEL	VOLTAGE		NO LOAD		AT MAXIMUM EFFICIENCY						STALL		
	OPERATING RANGE	NOMNAL	SPEED	CURRENT	SPEED	CURRENT	TORQUE	OUTPUT	EFF	CURRENT	TORQUE		
			rpm	A	rpm	A	g-cm	mN-m	W	%	A	g-cm	mN-m
XS-2680	1.5 - 3.0	1.5V CONSTANT	7300	0.16	5750	0.60	6.70	0.66	0.40	44.28	2.21	31.60	3.10
XS-20120	1.5 - 3.0	3.0V CONSTANT	9700	0.13	7880	0.57	8.57	0.84	0.69	40.88	2.45	45.80	4.49
XS-12230	3.0 - 6.0	6.0V CONSTANT	10600	0.06	8440	0.24	8.33	0.82	0.72	51.15	0.92	40.91	4.01
CS-20120	1.5 - 3.0	3.0V CONSTANT	11000	0.16	8660	0.60	10.18	1.00	0.91	50.79	2.60	48.00	4.71

*XS&CS ARE SIMILAR STRUCTURE BUT XS IS SINGLE BRUSH CS IS DOUBLE BRUSH(LOW NOISE TYPE)

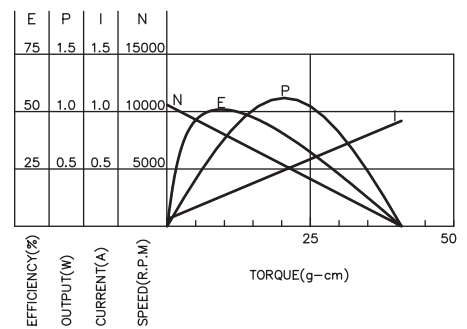
XS-2680 1.5V



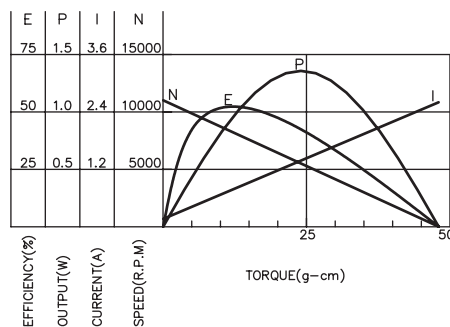
XS-20120 3.0V



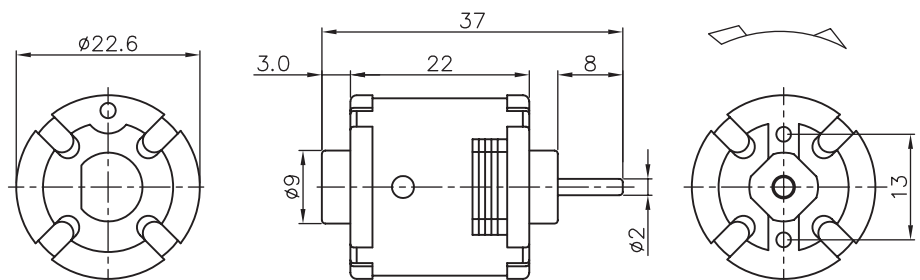
XS-12230 6.0V



CS-20120 3.0V



APPEARANCE SIZE



WEIGHT : 22g (APPROX)

V SERIES

DC-motors brush type low voltage designed especially for low cost and mass production. The motors are available with carbon or metal brushes and with integral emc filters as varistor and or capacitors. Please see the last part code digits shown in price list. Applications include scanners, mirrors, locks, toys, consumer goods, automotive, cameras, medical, HVAC, fans, vending machines, office machines, pumps, tools etc. The motors are available also with gear heads and customization is welcome.

V SERIES

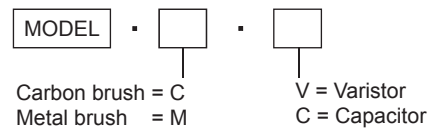


TRANSMOTEC SWEDEN AB

MOTOR SPECIFICATIONS

- Low cost
- Integral ems filter varistor capacitor
- Sleeve bearings
- Carbon or metal brush
- Ambient operating temperature -10..+60°C
- Customization is welcome

MODEL NO. DESIGNATIONS

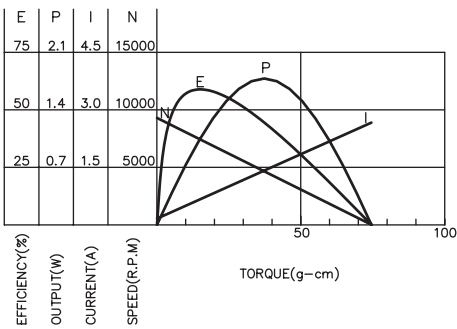


MOTOR DATA

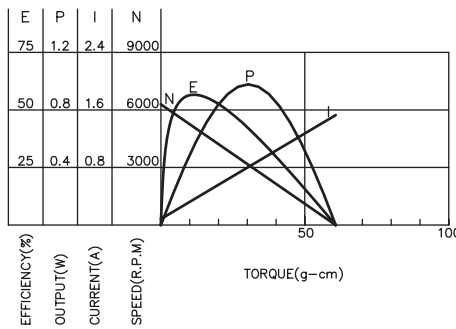
MODEL	VOLTAGE		NO LOAD		AT MAXIMUM EFFICIENCY						STALL		
	OPERATING RANGE	NOMNAL	SPEED	CURRENT	SPEED	CURRENT	TORQUE	OUTPUT	EFF	CURRENT	TORQUE		
			rpm	A	rpm	A	g-cm	mN-m	W	%	A	g-cm	mN-m
XV-2680	1.5 - 3.0	3.0V CONSTANT	9300	0.16	7560	0.61	13.91	1.36	1.08	59.02	2.67	74.65	7.31
XV-20120	3.0 - 4.5	3.0V CONSTANT	6300	0.08	5120	0.35	11.33	1.11	0.60	56.74	1.53	60.82	5.96
XV-16180	3.0 - 6.0	3.0V CONSTANT	4300	0.05	3380	0.19	8.15	0.80	0.28	51.02	0.89	38.37	3.76
CV-20120	3.0 - 4.5	3.0V CONSTANT	7000	0.10	5660	0.42	13.40	1.31	0.78	61.50	1.78	70.00	6.86

*XV&CV ARE SIMILAR STRUCTURE BUT XV IS SINGLE BRUSH CV IS DOUBLE BRUSH(LOW NOISE TYPE)

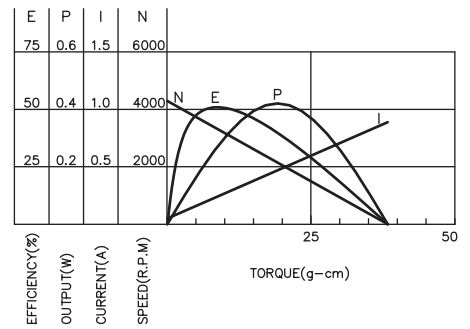
XV-2680 3.0V



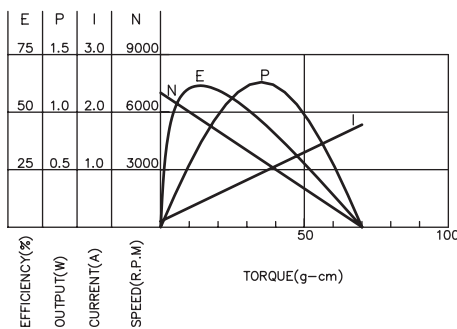
XV-20120 3.0V



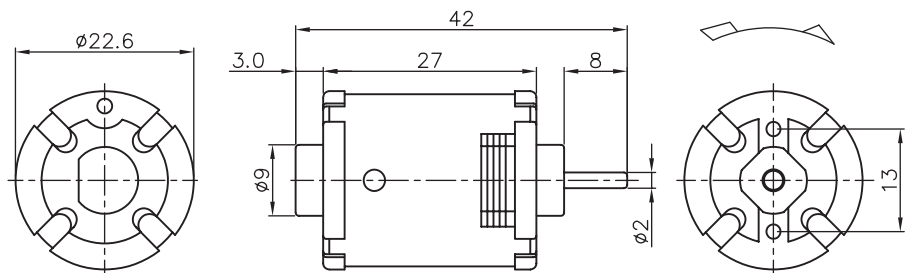
XV-16180 3.0V



CV-20120 3.0V



APPEARANCE SIZE

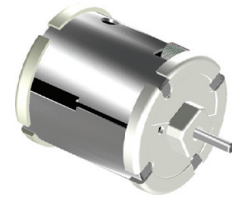


WEIGHT : 32g(APPROX)

A SERIES

DC-motors brush type low voltage designed especially for low cost and mass production. The motors are available with carbon or metal brushes and with integral emc filters as varistor and or capacitors. Please see the last part code digits shown in price list. Applications include scanners, mirrors, locks, toys, consumer goods, automotive, cameras, medical, HVAC, fans, vending machines, office machines, pumps, tools etc. The motors are available also with gear heads and customization is welcome.

A SERIES

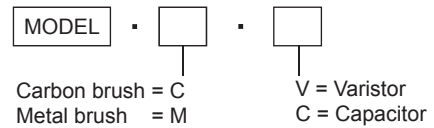


TRANSMOTEC SWEDEN AB

MOTOR SPECIFICATIONS

- Low cost
- Integral ems filter varistor capacitor
- Sleeve bearings
- Carbon or metal brush
- Ambient operating temperature -10..+60°C
- Customization is welcome

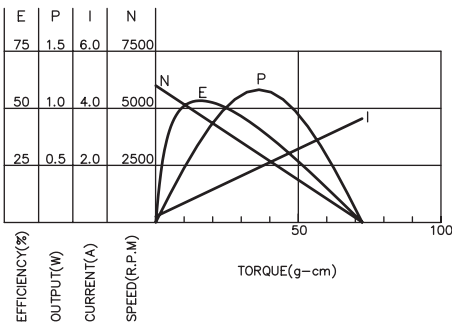
MODEL NO. DESIGNATIONS



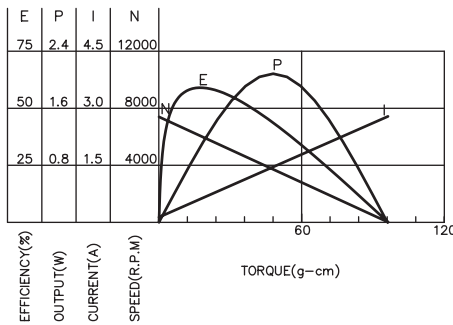
MOTOR DATA

MODEL	VOLTAGE		NO LOAD		AT MAXIMUM EFFICIENCY					STALL			
	OPERATING RANGE	NOMNAL	SPEED	CURRENT	SPEED	CURRENT	TORQUE	OUTPUT	EFF	CURRENT	TORQUE		
			rpm	A	rpm	A	g-cm	mN-m	W	%	A	g-cm	mN-m
CA-3759	1.5 - 3.0	1.5V CONSTANT	6000	0.20	4860	0.85	13.76	1.35	0.69	53.63	3.64	72.45	7.11
CA-26100	1.5 - 4.5	3.0V CONSTANT	7400	0.13	6080	0.60	17.10	1.68	1.07	59.10	2.79	96.32	9.44
CA-23140	3.0 - 4.5	3.0V CONSTANT	5200	0.09	4230	0.40	15.19	1.48	0.66	55.71	1.74	81.91	8.03
CA-10500	12.0 - 18.0	12.0V CONSTANT	5800	0.02	4750	0.09	12.74	1.25	0.62	60.58	0.42	70.91	6.95

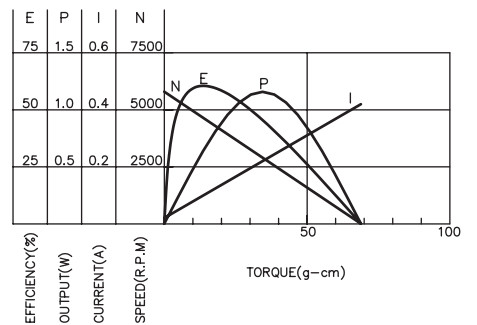
CA-3759 1.5V



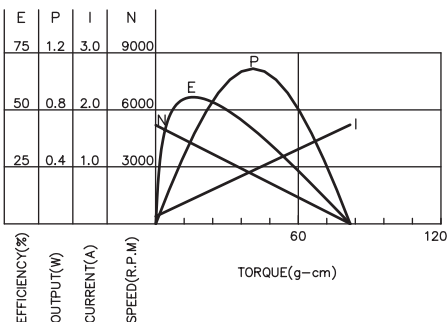
CA-26100 3.0V



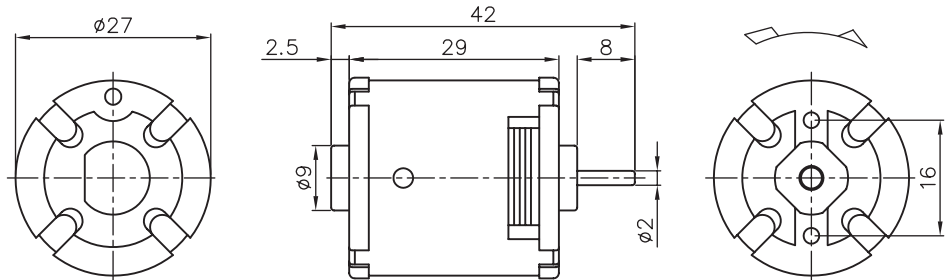
CA-10500 12.0V



CA-23140 3.0V



APPEARANCE SIZE



WEIGHT : 42g(APPROX)

RF-1230 SERIES

DC-motors brush type low voltage designed especially for low cost and mass production. The motors are available with carbon or metal brushes and with integral emc filters as varistor and or capacitors. Please see the last part code digits shown in price list. Applications include scanners, mirrors, locks, toys, consumer goods, automotive, cameras, medical, HVAC, fans, vending machines, office machines, pumps, tools etc. The motors are available also with gear heads and customization is welcome.

RF-1230 SERIES

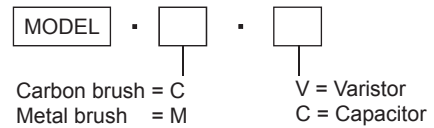


TRANSMOTEC SWEDEN AB

MOTOR SPECIFICATIONS

- Low cost
- Integral ems filter varistor capacitor
- Sleeve bearings
- Carbon or metal brush
- Ambient operating temperature -10..+60°C
- Customization is welcome

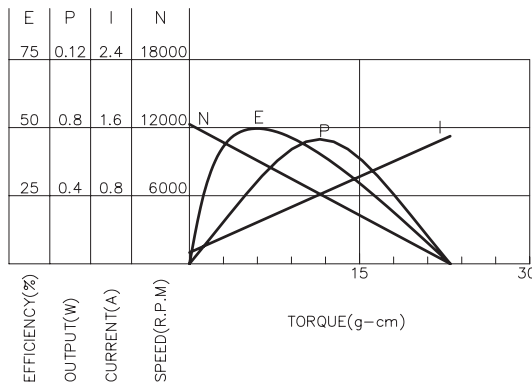
MODEL NO. DESIGNATIONS



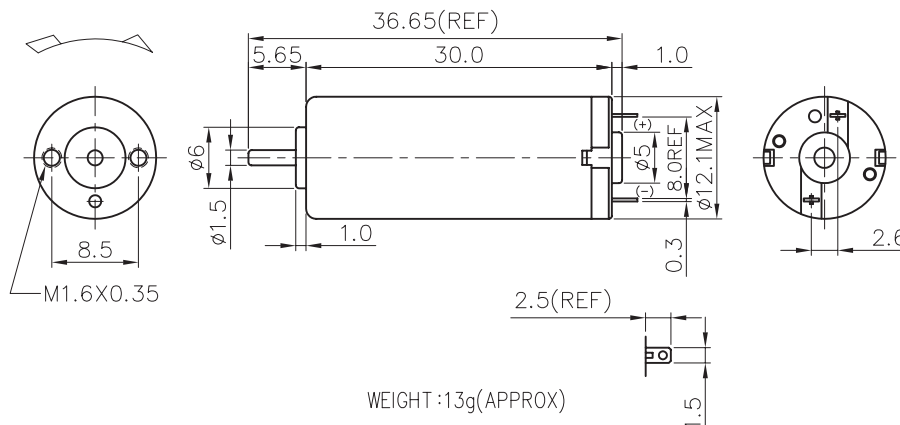
MOTOR DATA

MODEL	VOLTAGE		NO LOAD		AT MAXIMUM EFFICIENCY					STALL			
	OPERATING RANGE	NOMINAL	SPEED	CURRENT	SPEED	CURRENT	TORQUE		OUTPUT	EFF	CURRENT	TORQUE	
			rpm	A	rpm	A	g-cm	mN-m	W	%	A	g-cm	mN-m
RF-1230-1955	1.0 - 3.0	2.4V CONSTANT	12300	0.13	9200	0.47	5.0	0.49	0.47	50.00	1.5	23	2.25

RF-1230-1955 2.4V



APPEARANCE SIZE



FE-140 SERIES

DC-motors brush type low voltage designed especially for low cost and mass production. The motors are available with carbon or metal brushes and with integral emc filters as varistor and or capacitors. Please see the last part code digits shown in price list. Applications include scanners, mirrors, locks, toys, consumer goods, automotive, cameras, medical, HVAC, fans, vending machines, office machines, pumps, tools etc. The motors are available also with gear heads and customization is welcome.

FE-140 SERIES

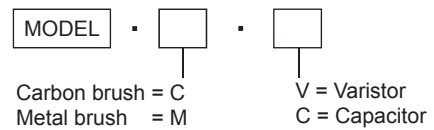


TRANSMOTEC SWEDEN AB

MOTOR SPECIFICATIONS

- Low cost
- Integral ems filter varistor capacitor
- Sleeve bearings
- Carbon or metal brush
- Ambient operating temperature -10..+60°C
- Customization is welcome

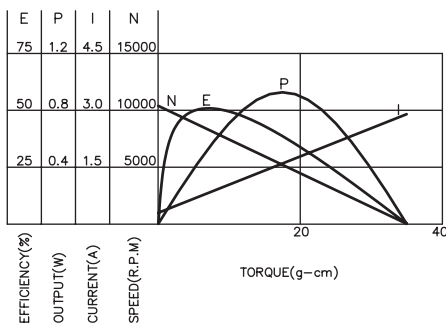
MODEL NO. DESIGNATIONS



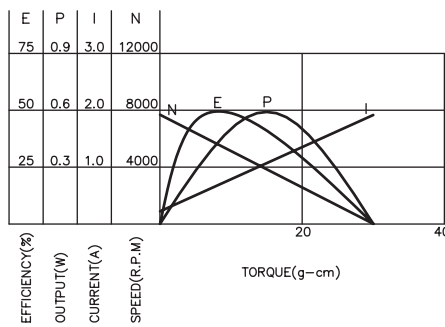
MOTOR DATA

MODEL	VOLTAGE		NO LOAD		AT MAXIMUM EFFICIENCY						STALL		
	OPERATING RANGE	NOMNAL	SPEED	CURRENT	SPEED	CURRENT	TORQUE	OUTPUT	EFF	CURRENT	TORQUE		
			rpm	A	rpm	A	g-cm	mN-m	W	%	A	g-cm	mN-m
FE-140-2650	1.2 - 3.0	1.5V CONSTANT	10400	0.29	7800	0.85	8.00	0.78	0.65	50.98	2.90	35.00	3.43
FE-140-2270	1.2 - 4.5	1.5V CONSTANT	7700	0.22	5800	0.62	7.75	0.76	0.46	49.77	1.92	30.00	2.94
FE-140-18100	1.2 - 4.5	3.0V CONSTANT	11100	0.18	8400	0.58	10.00	0.98	0.86	49.54	1.80	41.80	4.10
FE-140-12240	3.0 - 7.5	3.0V CONSTANT	4600	0.08	3280	0.13	5.00	0.49	0.17	43.60	0.36	17.00	1.67

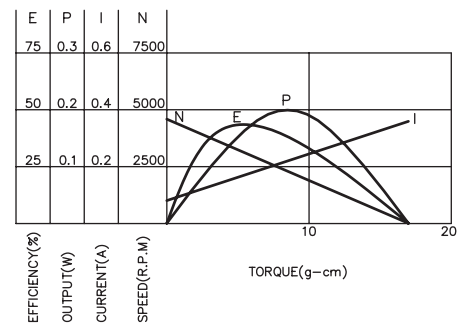
FE-140-2650 1.5V



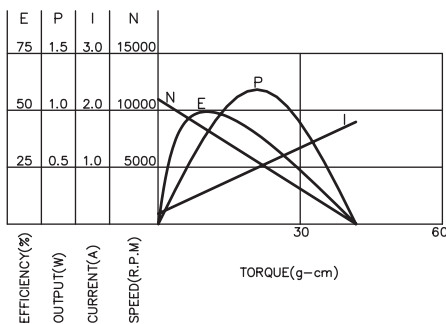
FE-140-2270 1.5V



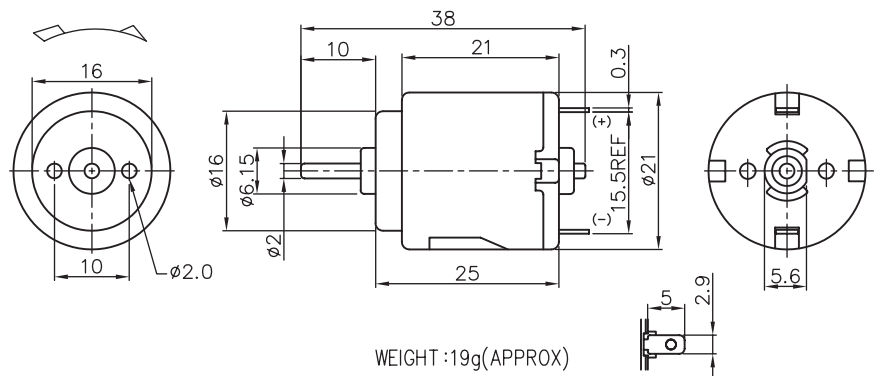
FE-140-12240 3.0V



FE-140-18100 3.0V



APPEARANCE SIZE



FE-260 SERIES

DC-motors brush type low voltage designed especially for low cost and mass production. The motors are available with carbon or metal brushes and with integral emc filters as varistor and or capacitors. Please see the last part code digits shown in price list. Applications include scanners, mirrors, locks, toys, consumer goods, automotive, cameras, medical, HVAC, fans, vending machines, office machines, pumps, tools etc. The motors are available also with gear heads and customization is welcome.

FE-260 SERIES

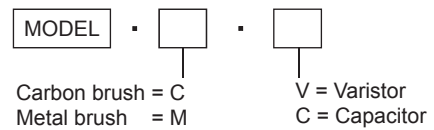


TRANSMOTEC SWEDEN AB

MOTOR SPECIFICATIONS

- Low cost
- Integral ems filter varistor capacitor
- Sleeve bearings
- Carbon or metal brush
- Ambient operating temperature -10..+60°C
- Customization is welcome

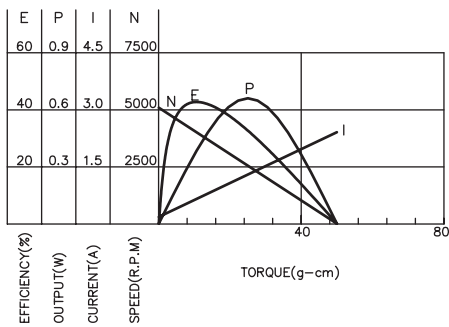
MODEL NO. DESIGNATIONS



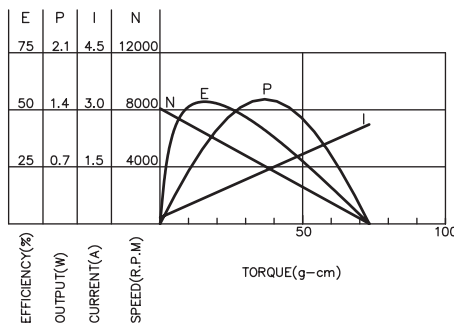
MOTOR DATA

MODEL	VOLTAGE		NO LOAD		AT MAXIMUM EFFICIENCY						STALL		
	OPERATING RANGE	NOMNAL	SPEED	CURRENT	SPEED	CURRENT	TORQUE	OUTPUT	EFF	CURRENT	TORQUE		
			rpm	A	rpm	A	g-cm	mN-m	W	%	A	g-cm	mN-m
FE-260-2670-N	1.5 - 3.0	1.5V CONSTANT	5100	0.180	3700	0.66	10.53	1.03	0.40	42.92	2.41	50.08	4.91
FE-260-2295-N	1.5 - 4.5	3.0V CONSTANT	8100	0.160	6850	0.63	13.96	1.37	0.98	53.91	2.62	73.29	7.19
FE-260-18130-N	1.5 - 4.5	3.0V CONSTANT	6100	0.100	4780	0.36	10.27	1.01	0.50	49.63	1.39	52.75	5.17
FE-260-08450-N	6.0 - 12.0	12.0V CONSTANT	7500	0.035	5560	0.11	10.32	1.01	0.60	46.63	0.35	42.00	4.12

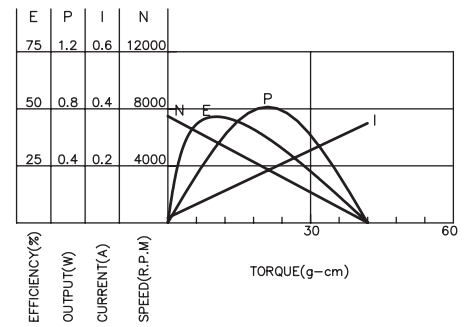
FE-260-2670-N 1.5V



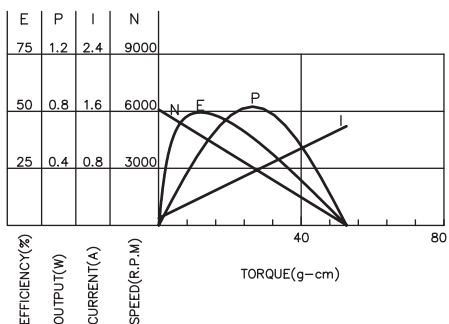
FE-260-2295-N 3.0V



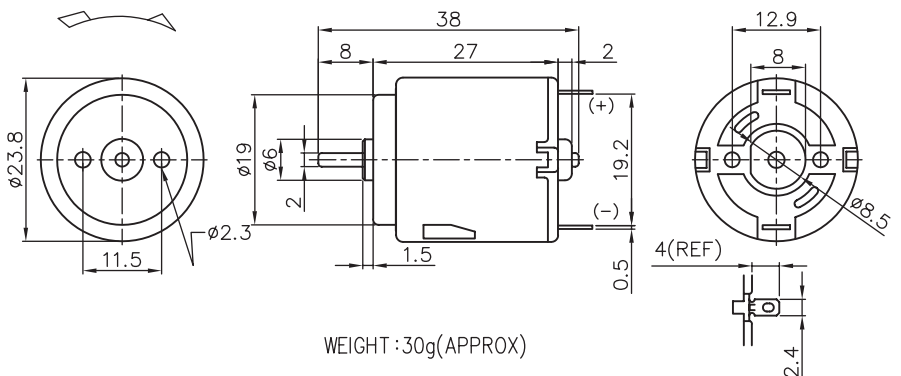
FE-260-08450-N 12.0V



FE-260-18130-N 3.0V



APPEARANCE SIZE



FC-260 SERIES

DC-motors brush type low voltage designed especially for low cost and mass production. The motors are available with carbon or metal brushes and with integral emc filters as varistor and or capacitors. Please see the last part code digits shown in price list. Applications include scanners, mirrors, locks, toys, consumer goods, automotive, cameras, medical, HVAC, fans, vending machines, office machines, pumps, tools etc. The motors are available also with gear heads and customization is welcome.

FC-260 SERIES

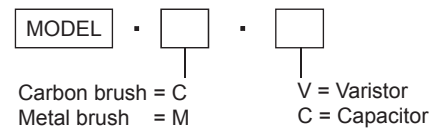


TRANSMOTEC SWEDEN AB

MOTOR SPECIFICATIONS

- Low cost
- Integral ems filter varistor capacitor
- Sleeve bearings
- Carbon or metal brush
- Ambient operating temperature -10..+60°C
- Customization is welcome

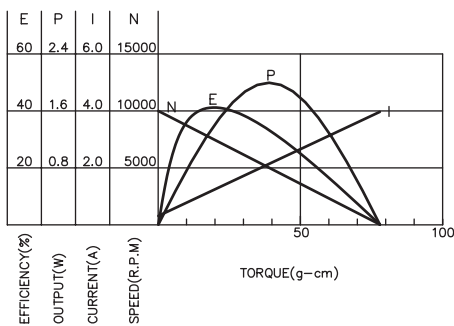
MODEL NO. DESIGNATIONS



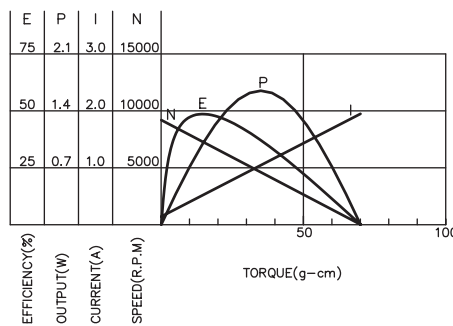
MOTOR DATA

MODEL	VOLTAGE		NO LOAD		AT MAXIMUM EFFICIENCY						STALL		
	OPERATING RANGE	NOMNAL	SPEED	CURRENT	SPEED	CURRENT	TORQUE	OUTPUT	EFF	CURRENT	TORQUE		
			rpm	A	rpm	A	g-cm	mN-m	W	%	A	g-cm	mN-m
FC-260-2670	3.0 - 4.5	3.0V CONSTANT	10000	0.30	7840	1.09	16.83	1.65	1.35	41.40	3.970	78	7.65
FC-260-18130	4.5 - 6.0	4.5V CONSTANT	9200	0.14	7520	0.52	14.84	1.45	1.10	48.76	1.950	70	6.86
FC-260-10350	6.0 - 12.0	12.0V CONSTANT	9500	0.06	7220	0.19	14.42	1.41	1.07	46.84	0.600	60	5.88
FC-260-07520	12.0 - 24.0	24.0V CONSTANT	12400	0.07	9580	0.14	15.88	1.56	1.56	47.85	0.470	70	6.86

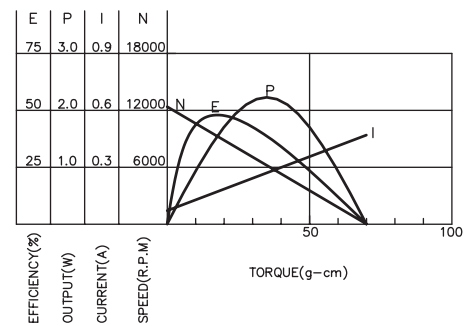
FC-260-2670-N 3.0V



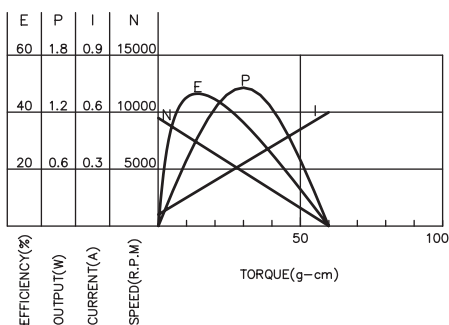
FC-260-18130-N 4.5V



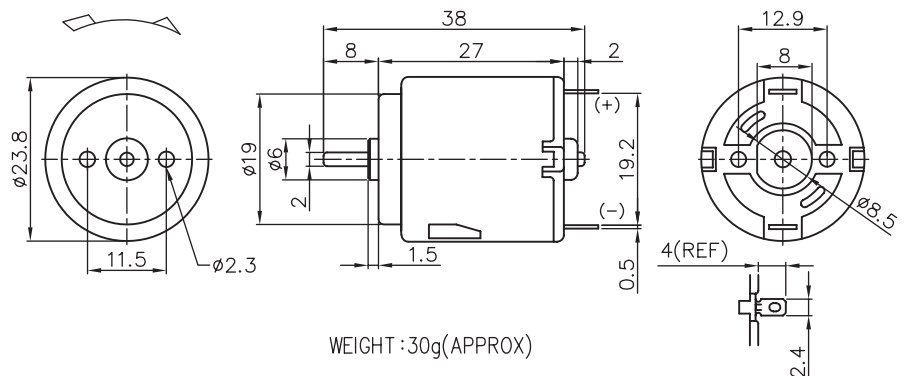
FC-260-07520-N 24.0V



FC-260-10350-N 12.0V



APPEARANCE SIZE



FC-280 SERIES

DC-motors brush type low voltage designed especially for low cost and mass production. The motors are available with carbon or metal brushes and with integral emc filters as varistor and or capacitors. Please see the last part code digits shown in price list. Applications include scanners, mirrors, locks, toys, consumer goods, automotive, cameras, medical, HVAC, fans, vending machines, office machines, pumps, tools etc. The motors are available also with gear heads and customization is welcome.

RF-310 SERIES

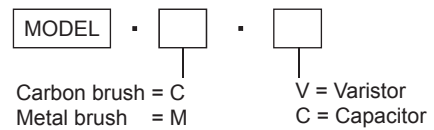


TRANSMOTEC SWEDEN AB

MOTOR SPECIFICATIONS

- Low cost
- Integral ems filter varistor capacitor
- Sleeve bearings
- Carbon or metal brush
- Ambient operating temperature -10..+60°C
- Customization is welcome

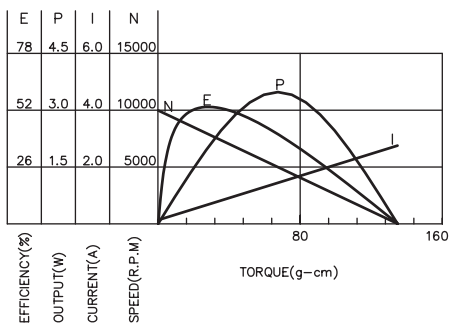
MODEL NO. DESIGNATIONS



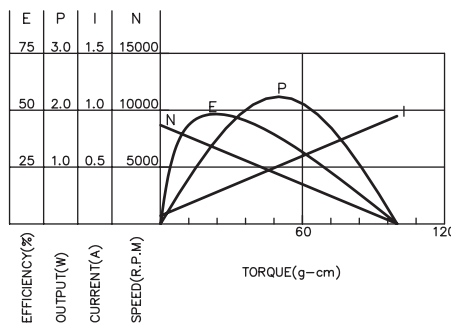
MOTOR DATA

MODEL	VOLTAGE		NO LOAD		AT MAXIMUM EFFICIENCY						STALL		
	OPERATING RANGE	NOMNAL	SPEED	CURRENT	SPEED	CURRENT	TORQUE	OUTPUT	EFF	CURRENT	TORQUE		
			rpm	A	rpm	A	g-cm	mN-m	W	%	A	g-cm	mN-m
FC-280-20120-N	4.5 - 9.0	6.0V CONSTANT	10000	0.13	7800	0.60	24.06	2.36	1.93	53.53	2.76	135	13.24
FC-280-12280-N	6.0 - 12.0	12.0V CONSTANT	8700	0.07	6840	0.26	21.38	2.10	1.50	48.59	0.95	100	9.80
FC-280S-2865-N	4.5 - 6.0	4.5V CONSTANT	10000	0.28	8330	1.39	38.45	3.77	3.29	52.53	6.95	230	22.55
FC-280S-20120-N	4.5 - 12.0	12.0V CONSTANT	14500	0.16	12270	0.88	49.17	4.82	6.19	58.63	5.40	320	31.37

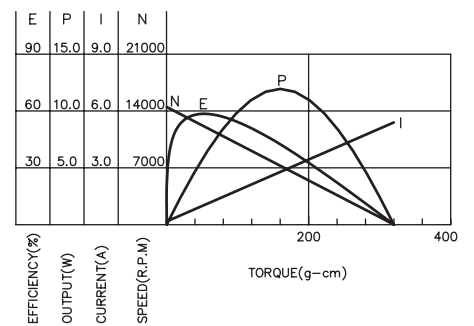
FC-280-20120-N 6.0V



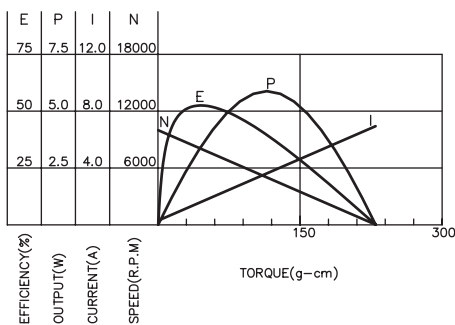
FC-280-12280-N 12.0V



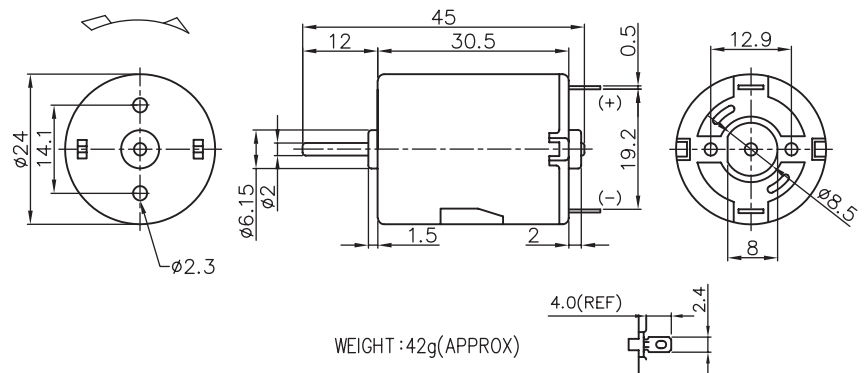
FC-280S-20120-N 12.0V



FC-280S-2865-N 4.5V



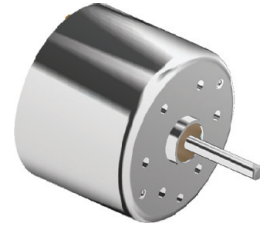
APPEARANCE SIZE



RF-310 SERIES

DC-motors brush type low voltage designed especially for low cost and mass production. The motors are available with carbon or metal brushes and with integral emc filters as varistor and or capacitors. Please see the last part code digits shown in price list. Applications include scanners, mirrors, locks, toys, consumer goods, automotive, cameras, medical, HVAC, fans, vending machines, office machines, pumps, tools etc. The motors are available also with gear heads and customization is welcome.

RF-310 SERIES

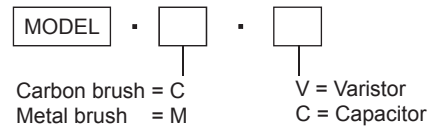


TRANSMOTEC SWEDEN AB

MOTOR SPECIFICATIONS

- Low cost
- Integral ems filter varistor capacitor
- Sleeve bearings
- Carbon or metal brush
- Ambient operating temperature -10..+60°C
- Customization is welcome

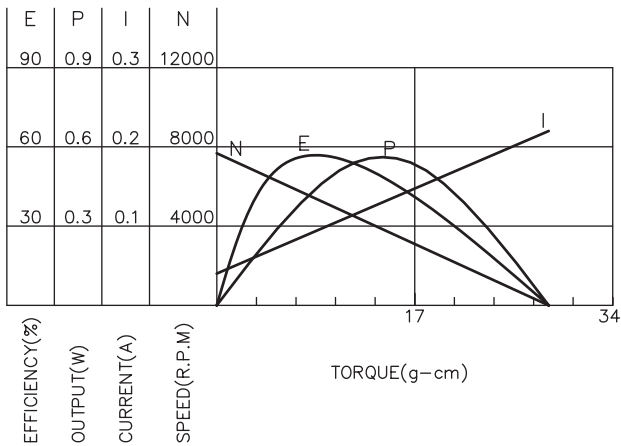
MODEL NO. DESIGNATIONS



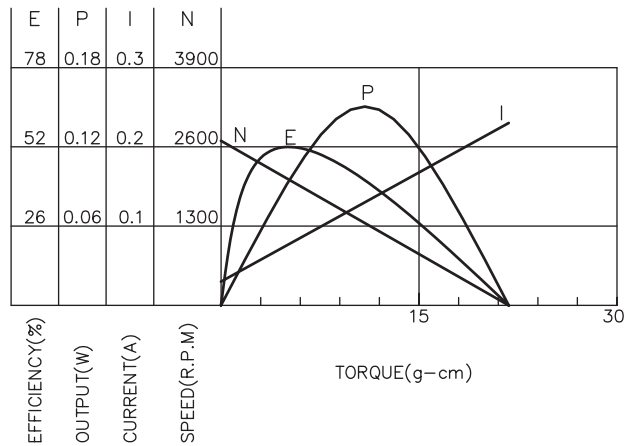
MOTOR DATA

MODEL	VOLTAGE		NO LOAD		AT MAXIMUM EFFICIENCY						STALL		
	OPERATING RANGE	NOMNAL	SPEED	CURRENT	SPEED	CURRENT	TORQUE		OUTPUT	EFF	CURRENT	TORQUE	
			rpm	A	rpm	A	g-cm	mN-m	W	%	A	g-cm	mN-m
RF-310TA-11400	1.2 - 6.0	6.0V CONSTANT	7680	0.04	5800	0.14	8.10	0.79	0.48	57	0.22	28.5	2.79
RF-310CA-11420	3.0 - 6.0	3.0V CONSTANT	2700	0.03	2033	0.07	5.21	0.51	0.10	52	0.23	21.8	2.14

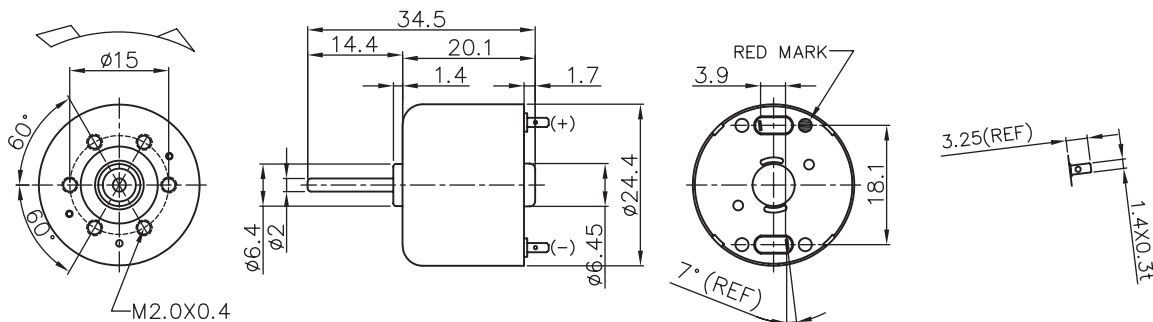
RF-310TA-11400 6.0V



RF-310CA-11420 3.0V



APPEARANCE SIZE



WEIGHT : 29g (APPROX)

270 SERIES

DC-motors brush type low voltage designed especially for low cost and mass production. The motors are available with carbon or metal brushes and with integral emc filters as varistor and or capacitors. Please see the last part code digits shown in price list. Applications include scanners, mirrors, locks, toys, consumer goods, automotive, cameras, medical, HVAC, fans, vending machines, office machines, pumps, tools etc. The motors are available also with gear heads and customization is welcome.

270 SERIES

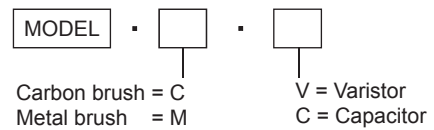


TRANSMOTEC SWEDEN AB

MOTOR SPECIFICATIONS

- Low cost
- Integral ems filter varistor capacitor
- Sleeve bearings
- Carbon or metal brush
- Ambient operating temperature -10..+60°C
- Customization is welcome

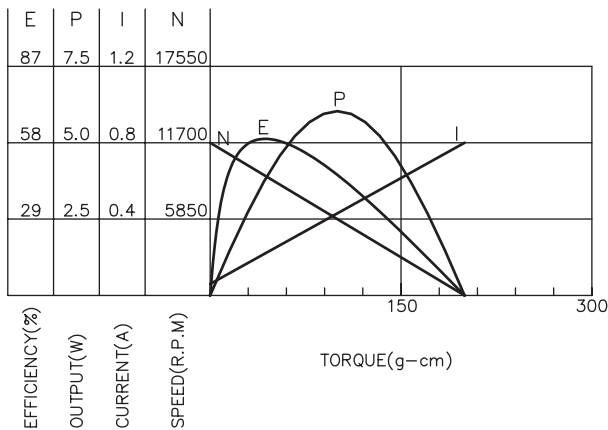
MODEL NO. DESIGNATIONS



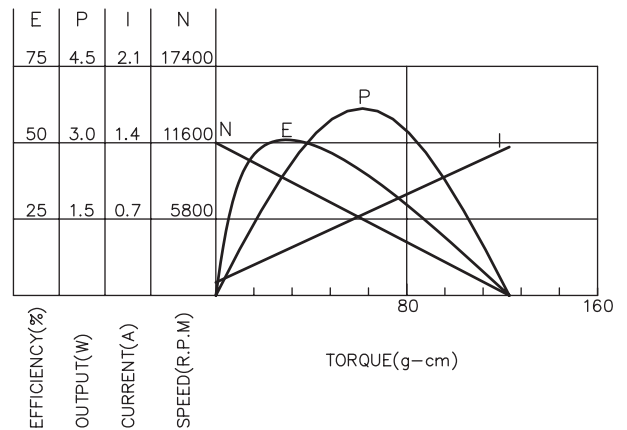
MOTOR DATA

MODEL	VOLTAGE		NO LOAD		AT MAXIMUM EFFICIENCY						STALL		
	OPERATING RANGE	NOMNAL	SPEED	CURRENT	SPEED	CURRENT	TORQUE		OUTPUT	EFF	CURRENT	TORQUE	
			rpm	A	rpm	A	g-cm	mN-m	W	%	A	g-cm	mN-m
270-09450	12.0 – 36.0	33.0V CONSTANT	11700	0.06	9506	0.22	42	4.12	4.15	59	0.80	200	19.61
270-14200	12.0 – 24.0	12.0V CONSTANT	11600	0.12	8795	0.44	28	2.75	2.59	51	1.36	123	12.06

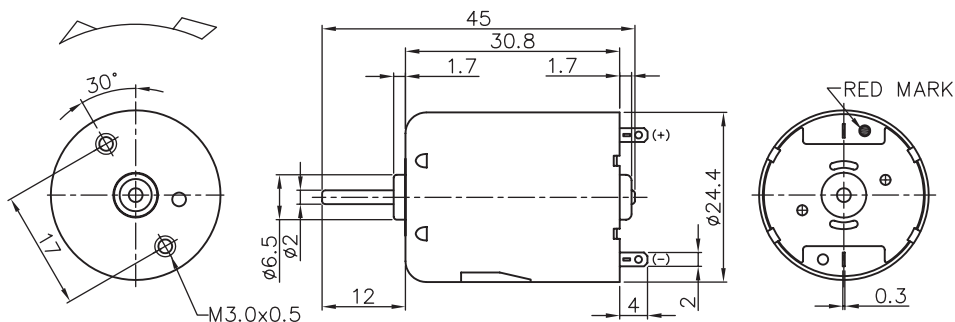
270-09450 33.0V



270-14200 12.0V



APPEARANCE SIZE



WEIGHT : 51g(APPROX)

370C SERIES

DC-motors brush type low voltage designed especially for low cost and mass production. The motors are available with carbon or metal brushes and with integral emc filters as varistor and or capacitors. Please see the last part code digits shown in price list. Applications include scanners, mirrors, locks, toys, consumer goods, automotive, cameras, medical, HVAC, fans, vending machines, office machines, pumps, tools etc. The motors are available also with gear heads and customization is welcome.

370C SERIES

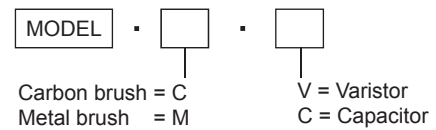


TRANSMOTEC SWEDEN AB

MOTOR SPECIFICATIONS

- Low cost
- Integral ems filter varistor capacitor
- Sleeve bearings
- Carbon or metal brush
- Ambient operating temperature -10..+60°C
- Customization is welcome

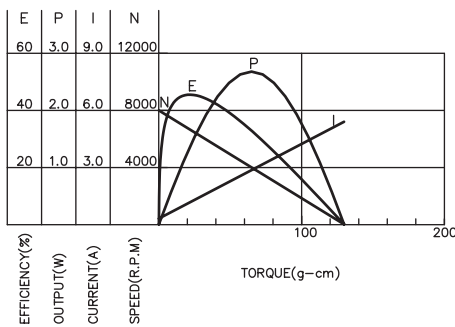
MODEL NO. DESIGNATIONS



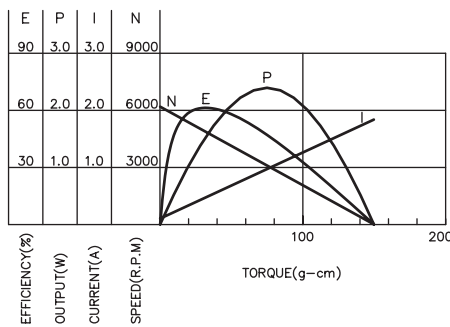
MOTOR DATA

MODEL	VOLTAGE		NO LOAD		AT MAXIMUM EFFICIENCY						STALL		
	OPERATING RANGE	NOMNAL	SPEED	CURRENT	SPEED	CURRENT	TORQUE	OUTPUT	EFF	CURRENT	TORQUE		
			rpm	A	rpm	A	g-cm	mN-m	W	%	A	g-cm	mN-m
370C-3055-N	1.5 - 4.5	3.0V CONSTANT	8000	0.300	6600	1.15	23.0	2.25	1.57	45.51	5.40	130	12.75
370C-22170-N	3.0 - 12.0	6.0V CONSTANT	6200	0.100	5200	0.36	25.0	2.45	1.33	61.57	1.84	150	14.71
370C-14350-N	6.0 - 18.0	12.0V CONSTANT	6200	0.055	5130	0.19	27.0	2.65	1.42	62.28	0.94	155	15.20
370C-08700-N	12.0 - 24.0	24.0V CONSTANT	6000	0.045	4800	0.09	25.0	2.45	1.23	56.94	0.36	125	12.25

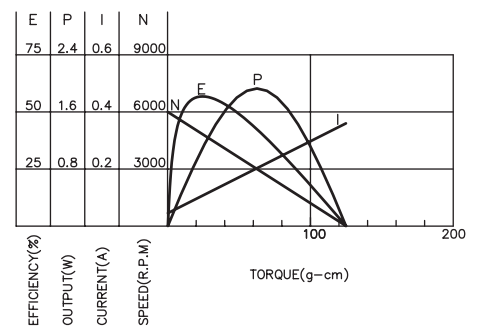
370C-3055-N 3.0V



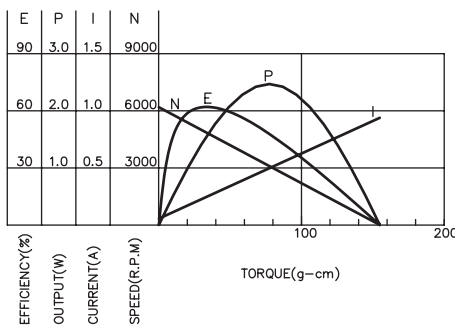
370C-22170-N 6.0V



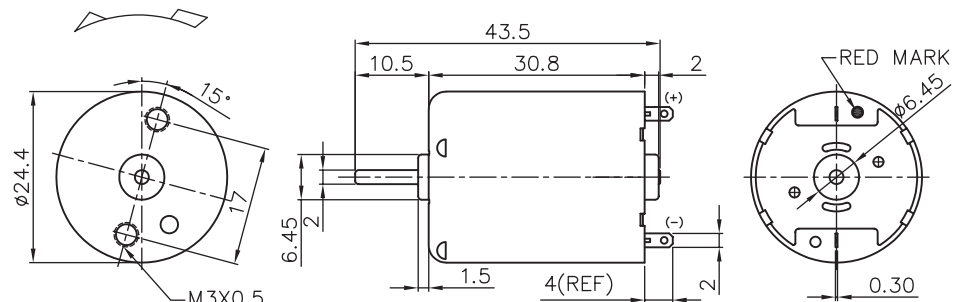
370C-08700-N 24.0V



370C-14350-N 12.0V



APPEARANCE SIZE



WEIGHT :50g(APPROX)

370S SERIES

DC-motors brush type low voltage designed especially for low cost and mass production. The motors are available with carbon or metal brushes and with integral emc filters as varistor and or capacitors. Please see the last part code digits shown in price list. Applications include scanners, mirrors, locks, toys, consumer goods, automotive, cameras, medical, HVAC, fans, vending machines, office machines, pumps, tools etc. The motors are available also with gear heads and customization is welcome.

370S SERIES

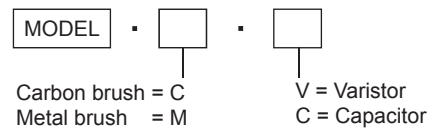


TRANSMOTEC SWEDEN AB

MOTOR SPECIFICATIONS

- Low cost
- Integral ems filter varistor capacitor
- Sleeve bearings
- Carbon or metal brush
- Ambient operating temperature -10..+60°C
- Customization is welcome

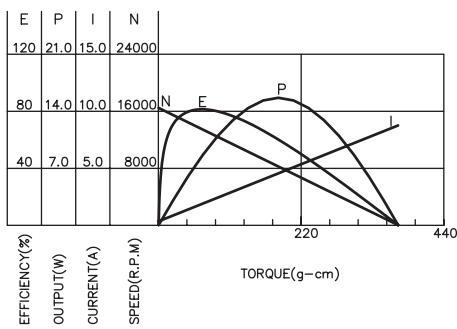
MODEL NO. DESIGNATIONS



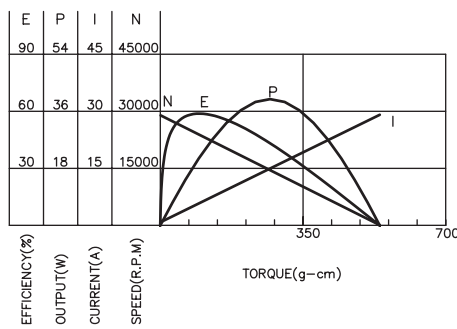
MOTOR DATA

MODEL	VOLTAGE		NO LOAD		AT MAXIMUM EFFICIENCY					STALL			
	OPERATING RANGE	NOMNAL	SPEED	CURRENT	SPEED	CURRENT	TORQUE	OUTPUT	EFF	CURRENT	TORQUE		
			rpm	A	rpm	A	g-cm	mN-m	W	%	A	g-cm	mN-m
370S-2870P	4.5 - 9.6	7.2V CONSTANT	16500	0.34	13700	1.73	60	5.88	8.43	81	8.77	370	36.27
370S-4530P	3.0 - 6.0	6.0V CONSTANT	29000	0.80	24096	5.50	78	7.65	19.42	59	29.15	539	52.84
370S-16235P	12.0 - 24.0	15.0V CONSTANT	9700	0.10	7587	0.52	62	6.08	4.90	62	2.64	336	32.94
370S-5028P	3.0 - 7.2	3.6V CONSTANT	19000	1.00	16207	5.77	82	8.04	13.78	66	27.99	476	46.67

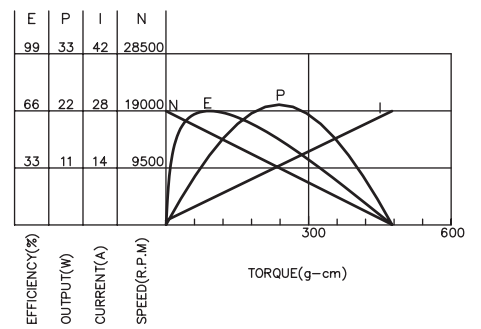
370S-2870P 7.2V



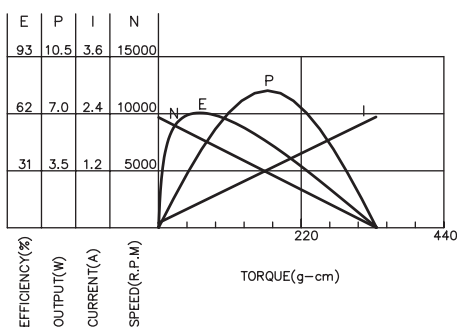
370S-4530P 6.0V



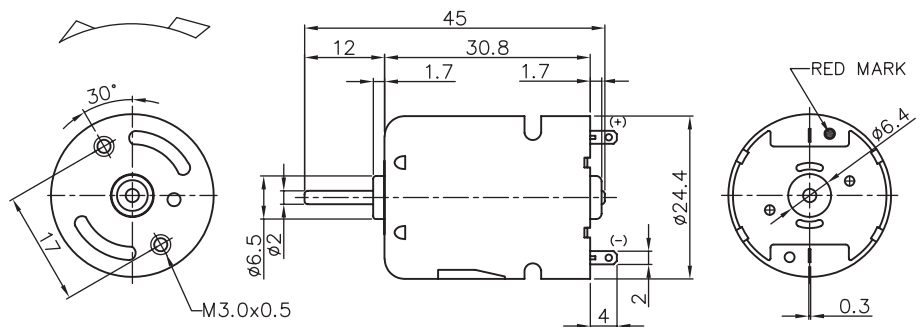
370S-5028P 3.6V



370S-16235P 15.0V



APPEARANCE SIZE



WEIGHT : 51g (APPROX)

M3N SERIES

DC-motors brush type low voltage designed especially for low cost and mass production. The motors are available with carbon or metal brushes and with integral emc filters as varistor and or capacitors. Please see the last part code digits shown in price list. Applications include scanners, mirrors, locks, toys, consumer goods, automotive, cameras, medical, HVAC, fans, vending machines, office machines, pumps, tools etc. The motors are available also with gear heads and customization is welcome.

M3N SERIES

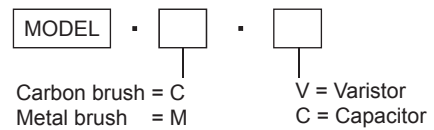


TRANSMOTEC SWEDEN AB

MOTOR SPECIFICATIONS

- Low cost
- Integral ems filter varistor capacitor
- Sleeve bearings
- Carbon or metal brush
- Ambient operating temperature -10..+60°C
- Customization is welcome

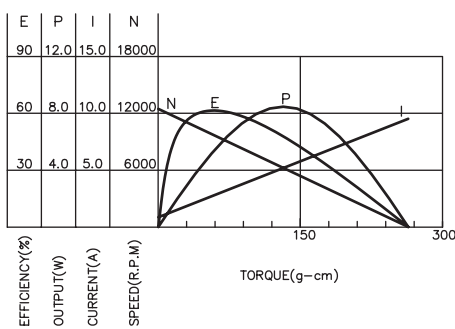
MODEL NO. DESIGNATIONS



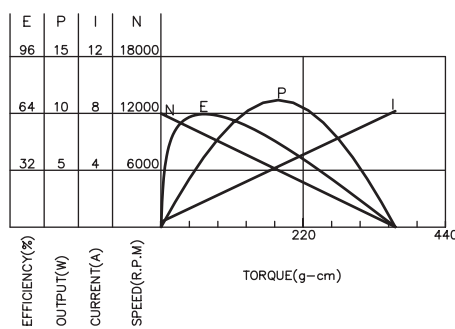
MOTOR DATA

MODEL	VOLTAGE		NO LOAD		AT MAXIMUM EFFICIENCY						STALL		
	OPERATING RANGE	NOMNAL	SPEED	CURRENT	SPEED	CURRENT	TORQUE	OUTPUT	EFF	CURRENT	TORQUE		
			rpm	A	rpm	A	g-cm	mN-m	W	%	A	g-cm	mN-m
MD3N-3745	1.2 - 3.6	3.6V CONSTANT	12500	0.80	9910	2.55	55	5.39	5.67	61	9.54	264	25.88
MS3N-2880	6.0 - 12.0	6.0V CONSTANT	12000	0.35	9950	1.57	57	5.59	5.90	64	8.18	363	35.59
MP3N-2495	3.0 - 6.0	6.0V CONSTANT	9800	0.30	8052	1.15	50	4.90	4.16	60	5.78	309	30.29
MP3N-3260	3.0 - 6.0	6.0V CONSTANT	15000	0.55	12195	3.38	98	9.61	12.34	62	14.89	524	51.37

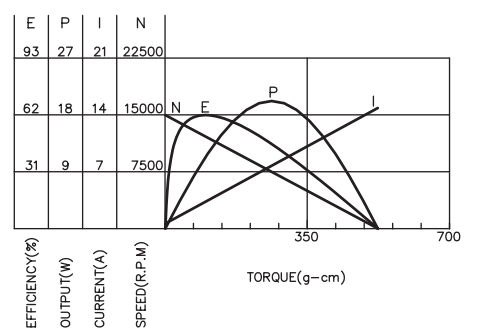
MD3N-3745 3.6V



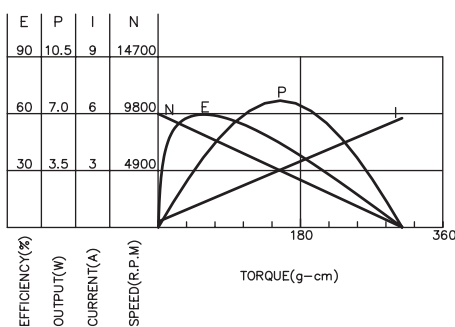
MS3-2880 6.0V



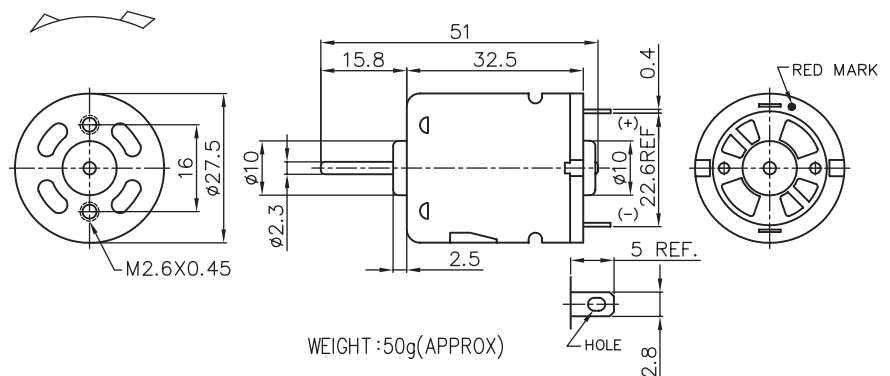
MP3N-3260 6.0V



MP3N-2495 6.0V



APPEARANCE SIZE



M5FN SERIES

DC-motors brush type low voltage designed especially for low cost and mass production. The motors are available with carbon or metal brushes and with integral emc filters as varistor and or capacitors. Please see the last part code digits shown in price list. Applications include scanners, mirrors, locks, toys, consumer goods, automotive, cameras, medical, HVAC, fans, vending machines, office machines, pumps, tools etc. The motors are available also with gear heads and customization is welcome.

M5FN SERIES

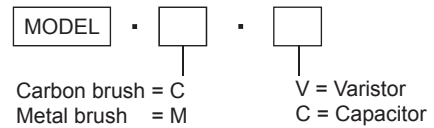


TRANSMOTEC SWEDEN AB

MOTOR SPECIFICATIONS

- Low cost
- Integral ems filter varistor capacitor
- Sleeve bearings
- Carbon or metal brush
- Ambient operating temperature -10..+60°C
- Customization is welcome

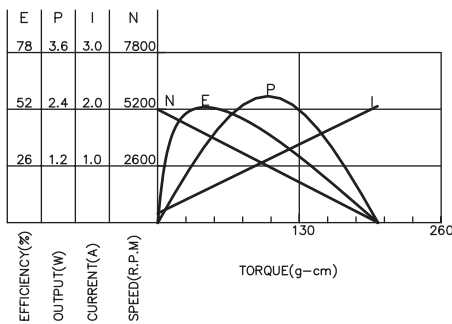
MODEL NO. DESIGNATIONS



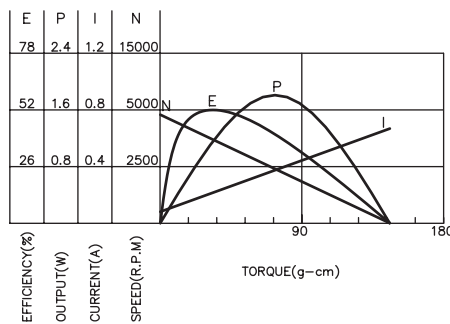
MOTOR DATA

MODEL	VOLTAGE		NO LOAD		AT MAXIMUM EFFICIENCY						STALL		
	OPERATING RANGE	NOMNAL	SPEED	CURRENT	SPEED	CURRENT	TORQUE	OUTPUT	EFF	CURRENT	TORQUE		
			rpm	A	rpm	A	g-cm	mN-m	W	%	A	g-cm	mN-m
MP5FN-2080	6.0-12.0	6.0V CONSTANT	5200	0.16	4005	0.54	41	4.02	1.70	53	2.06	202	19.80
MP5FN-12185	6.0-12.0	12.0V CONSTANT	4800	0.08	3600	0.20	32	3.14	1.21	53	0.67	146	14.31
MS5FN-07420	12.0-24.0	24.0V CONSTANT	4300	0.04	3171	0.08	26	2.55	0.87	45	0.23	103	10.10
MS5FN-16120	12.0-24.0	12.0V CONSTANT	7600	0.10	5817	0.46	48	4.71	2.89	54	1.70	235	23.04

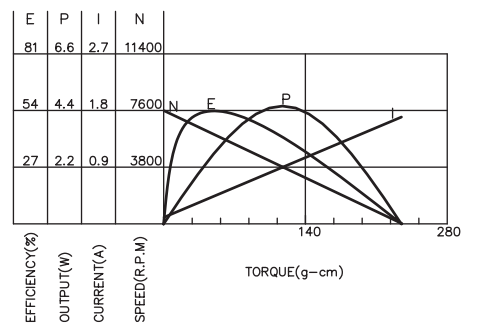
MP5FN-2080 6.0V



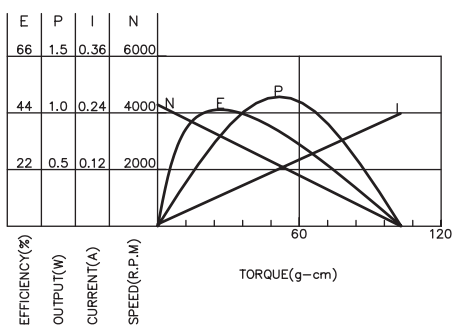
MP5FN-12185 12.0V



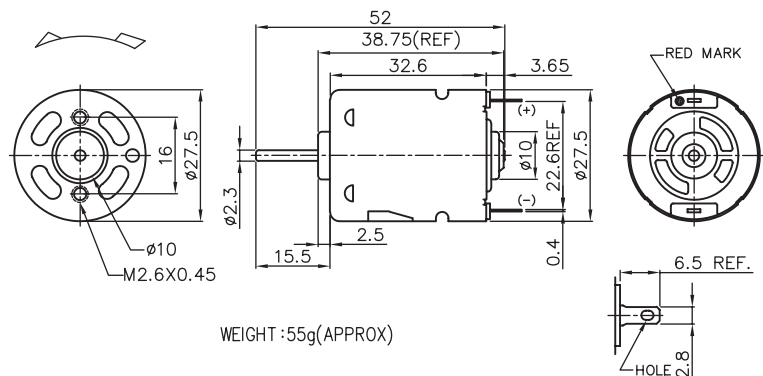
MS5FN-16120 12.0V



MS5FN-07420 24.0V



APPEARANCE SIZE



M-AA SERIES

DC-motors brush type low voltage designed especially for low cost and mass production. The motors are available with carbon or metal brushes and with integral emc filters as varistor and or capacitors. Please see the last part code digits shown in price list. Applications include scanners, mirrors, locks, toys, consumer goods, automotive, cameras, medical, HVAC, fans, vending machines, office machines, pumps, tools etc. The motors are available also with gear heads and customization is welcome.

M-AA SERIES

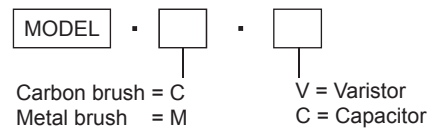


TRANSMOTEC SWEDEN AB

MOTOR SPECIFICATIONS

- Low cost
- Integral ems filter varistor capacitor
- Sleeve bearings
- Carbon or metal brush
- Ambient operating temperature -10..+60°C
- Customization is welcome

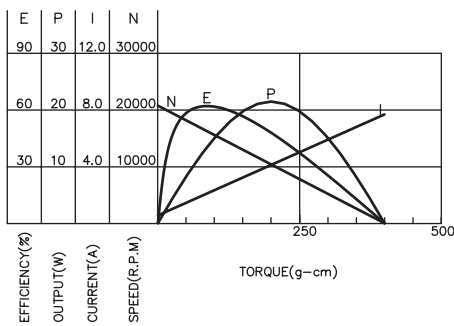
MODEL NO. DESIGNATIONS



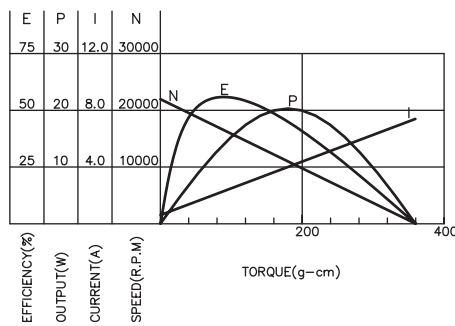
MOTOR DATA

MODEL	VOLTAGE		NO LOAD		AT MAXIMUM EFFICIENCY						STALL		
	OPERATING RANGE	NOMNAL	SPEED	CURRENT	SPEED	CURRENT	TORQUE	OUTPUT	EFF	CURRENT	TORQUE		
			rpm	A	rpm	A	g-cm	mN-m	W	%	A	g-cm	mN-m
MD5-2554AS-AA	6.0 - 12.0	12.0V CONSTANT	20800	0.55	17000	1.70	72.92	7.15	12.72	62.38	7.70	400	39.22
MD5-2450AS-AA	6.0 - 12.0	12.0V CONSTANT	22000	0.60	17200	2.00	77.50	7.60	13.73	55.91	7.40	360	35.29
MD5-1980AS-AA	12.0 - 24.0	24.0V CONSTANT	27000	0.40	22600	1.43	88.50	8.68	20.55	60.92	5.87	470	46.08
MD5-15120AS-AA	12.0 - 24.0	24.0V CONSTANT	18800	0.24	15100	0.70	66.68	6.54	10.34	61.54	2.86	340	33.33

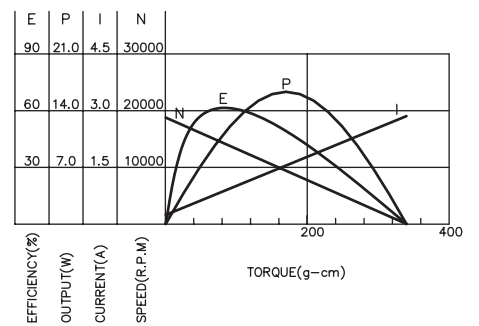
MD5-2554AS-AA 12.0V



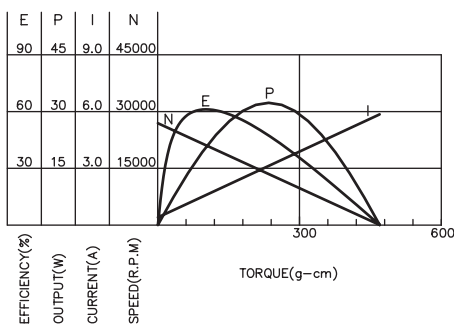
MD5-2450AS-AA 12.0V



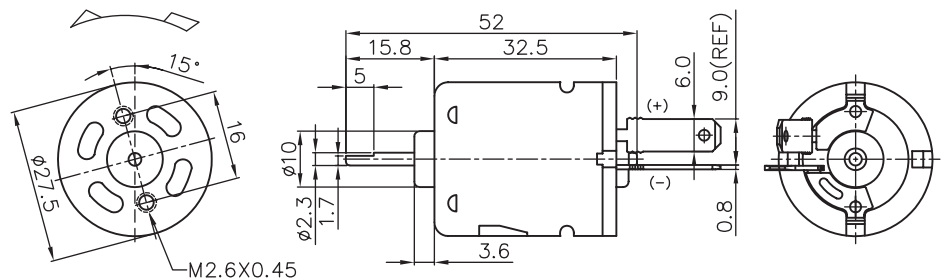
MD5-15120AS-AA 24.0V



MD5-1980AS-AA 24.0V



APPEARANCE SIZE



WEIGHT :55g(APPROX)

M-BB SERIES

DC-motors brush type low voltage designed especially for low cost and mass production. The motors are available with carbon or metal brushes and with integral emc filters as varistor and or capacitors. Please see the last part code digits shown in price list. Applications include scanners, mirrors, locks, toys, consumer goods, automotive, cameras, medical, HVAC, fans, vending machines, office machines, pumps, tools etc. The motors are available also with gear heads and customization is welcome.

M-BB SERIES

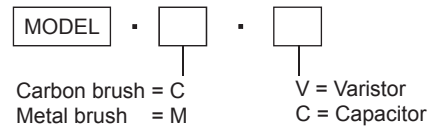


TRANSMOTEC SWEDEN AB

MOTOR SPECIFICATIONS

- Low cost
- Integral ems filter varistor capacitor
- Sleeve bearings
- Carbon or metal brush
- Ambient operating temperature -10..+60°C
- Customization is welcome

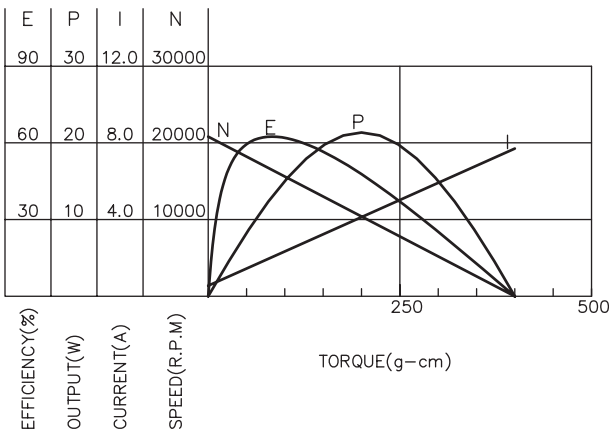
MODEL NO. DESIGNATIONS



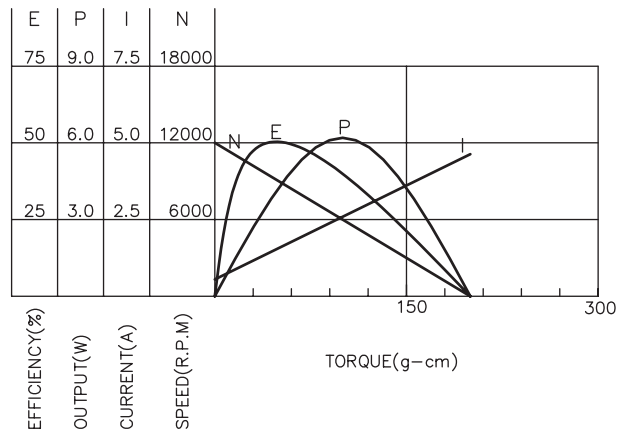
MOTOR DATA

MODEL	VOLTAGE		NO LOAD		AT MAXIMUM EFFICIENCY						STALL		
	OPERATING RANGE	NOMNAL	SPEED	CURRENT	SPEED	CURRENT	TORQUE		OUTPUT	EFF	CURRENT	TORQUE	
			rpm	A	rpm	A	g-cm	mN-m	W	%	A	g-cm	mN-m
MD5-2554AS-BB	6.0 - 12.0	12.0V CONSTANT	20800	0.55	17000	1.7	72.92	7.15	12.72	62.38	7.70	400	39.22
MD5-2445AS-BB	6.0 - 12.0	6.0V CONSTANT	12000	0.55	9300	1.4	45.00	4.41	4.21	50.48	4.63	200	19.61

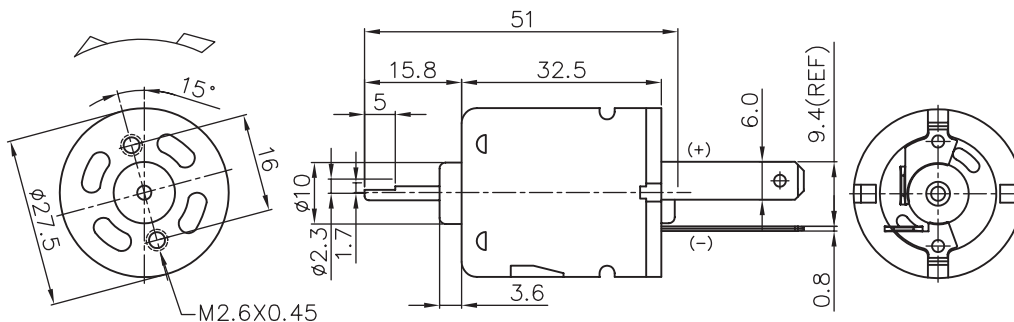
MD5-2554AS-BB 12.0V



MD5-2445AS-BB 6.0V



APPEARANCE SIZE



WEIGHT : 55g(APPROX)

L3N SERIES

DC-motors brush type low voltage designed especially for low cost and mass production. The motors are available with carbon or metal brushes and with integral emc filters as varistor and or capacitors. Please see the last part code digits shown in price list. Applications include scanners, mirrors, locks, toys, consumer goods, automotive, cameras, medical, HVAC, fans, vending machines, office machines, pumps, tools etc. The motors are available also with gear heads and customization is welcome.

L3N SERIES

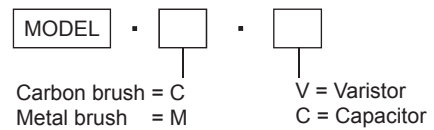


TRANSMOTEC SWEDEN AB

MOTOR SPECIFICATIONS

- Low cost
- Integral ems filter varistor capacitor
- Sleeve bearings
- Carbon or metal brush
- Ambient operating temperature -10..+60°C
- Customization is welcome

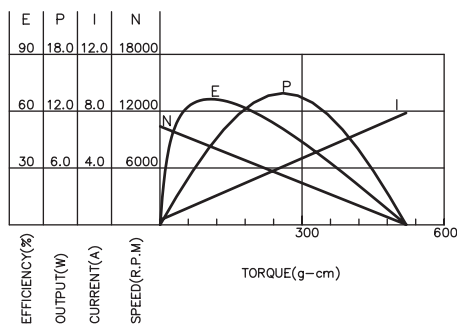
MODEL NO. DESIGNATIONS



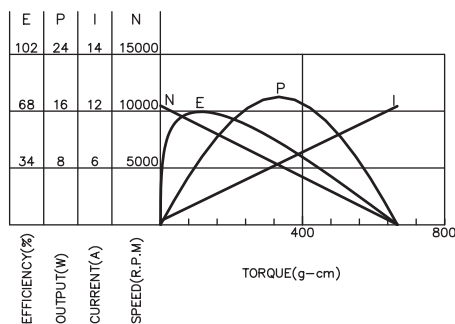
MOTOR DATA

MODEL	VOLTAGE		NO LOAD		AT MAXIMUM EFFICIENCY						STALL		
	OPERATING RANGE	NOMNAL	SPEED	CURRENT	SPEED	CURRENT	TORQUE	OUTPUT	EFF	CURRENT	TORQUE		
			rpm	A	rpm	A	g-cm	mN-m	W	%	A	g-cm	mN-m
LS3N-2870	6.0 - 12.0	7.2V CONSTANT	10400	0.32	8450	1.73	94	9.21	8.28	66	7.88	520	50.98
LS3N-3558	3.0 - 7.2	6.0V CONSTANT	10500	0.40	8811	2.20	98	9.61	8.93	68	12.60	668	65.49
LP3N-14350	6.0 - 12.0	12.0V CONSTANT	3200	0.06	2607	0.21	57	5.20	1.43	57	0.83	263	25.78
LP3N-18200	6.0 - 12.0	6.0V CONSTANT	3000	0.08	2485	0.23	61	2.84	0.74	61	1.12	195	19.11

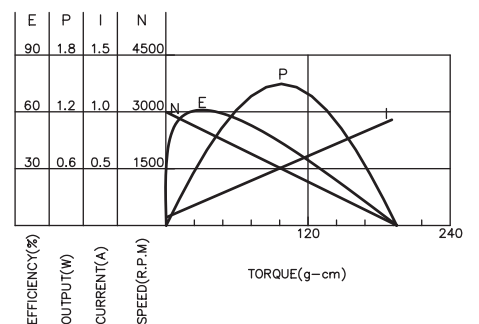
LS3N-2870 7.2V



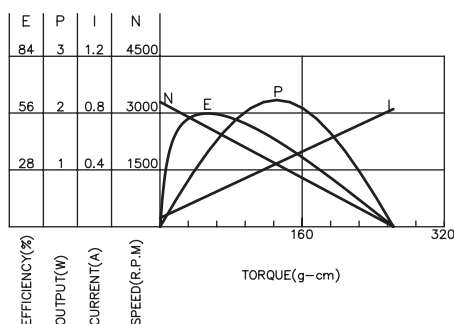
LS3N-3558 6.0V



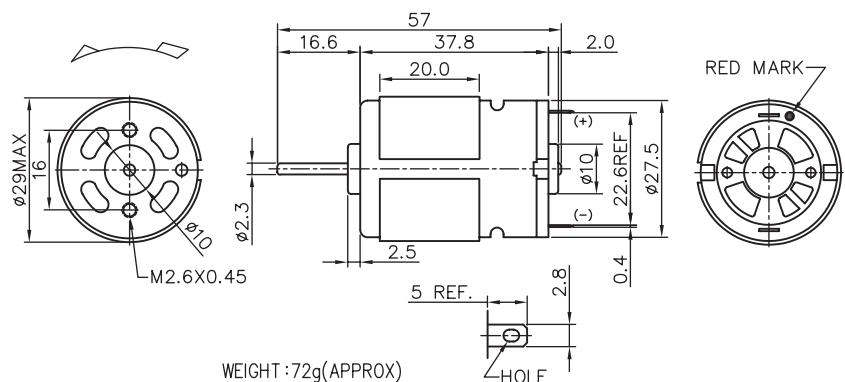
LP3N-18200 6.0V



LP3N-14350 12.0V



APPEARANCE SIZE



L5N SERIES

DC-motors brush type low voltage designed especially for low cost and mass production. The motors are available with carbon or metal brushes and with integral emc filters as varistor and or capacitors. Please see the last part code digits shown in price list. Applications include scanners, mirrors, locks, toys, consumer goods, automotive, cameras, medical, HVAC, fans, vending machines, office machines, pumps, tools etc. The motors are available also with gear heads and customization is welcome.

L5N SERIES

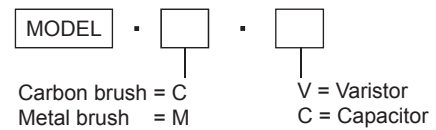


TRANSMOTEC SWEDEN AB

MOTOR SPECIFICATIONS

- Low cost
- Integral ems filter varistor capacitor
- Sleeve bearings
- Carbon or metal brush
- Ambient operating temperature -10..+60°C
- Customization is welcome

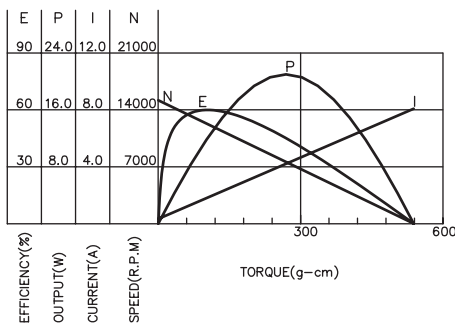
MODEL NO. DESIGNATIONS



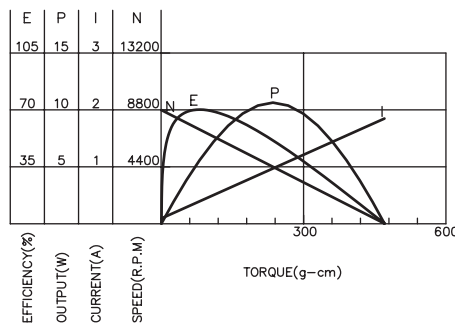
MOTOR DATA

MODEL	VOLTAGE		NO LOAD		AT MAXIMUM EFFICIENCY						STALL		
	OPERATING RANGE	NOMNAL	SPEED	CURRENT	SPEED	CURRENT	TORQUE	OUTPUT	EFF	CURRENT	TORQUE		
			rpm	A	rpm	A	g-cm	mN-m	W	%	A	g-cm	mN-m
LS5N-2445	6.0 - 12.0	12.0V CONSTANT	15200	0.33	12640	1.63	90	8.82	11.75	60	8.09	539	52.84
LS5N-14145	12.0 - 24.0	24.0V CONSTANT	8800	0.09	7491	0.32	65	6.37	5.06	70	1.85	471	46.18
LS5N-2073	6.0 - 15.0	12.0V CONSTANT	9400	0.14	7283	0.82	79	7.75	5.93	61	3.47	398	39.02
LP5N-2268	6.0 - 12.0	12.0V CONSTANT	8600	0.14	7123	0.89	93	9.11	6.87	65	4.41	560	54.90

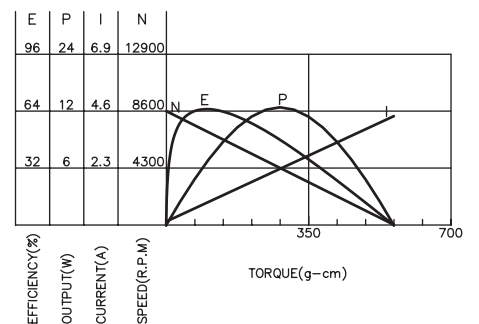
LS5N-2445 12.0V



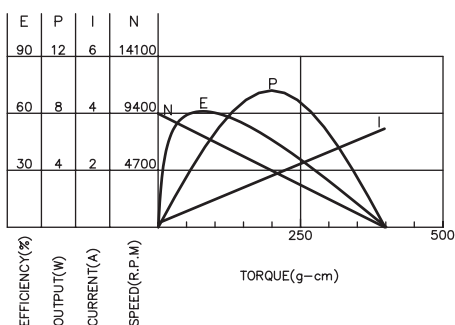
LS5N-14145 24.0V



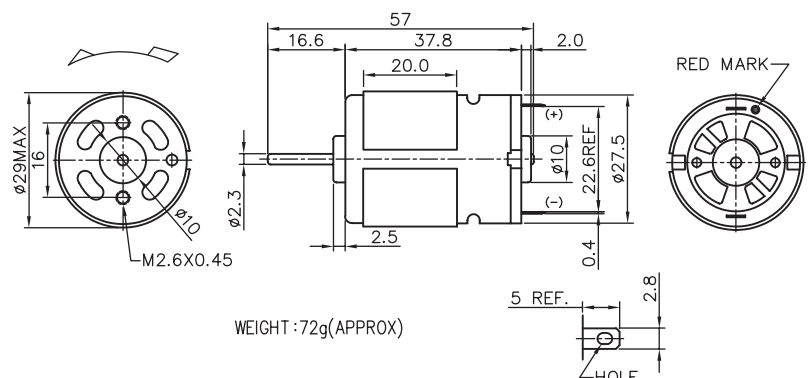
LP5N-2268 12.0V



LS5N-2073 12.0V



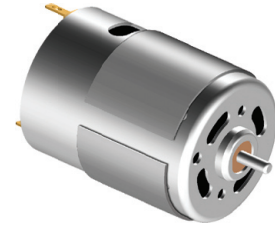
APPEARANCE SIZE



L3FN SERIES

DC-motors brush type low voltage designed especially for low cost and mass production. The motors are available with carbon or metal brushes and with integral emc filters as varistor and or capacitors. Please see the last part code digits shown in price list. Applications include scanners, mirrors, locks, toys, consumer goods, automotive, cameras, medical, HVAC, fans, vending machines, office machines, pumps, tools etc. The motors are available also with gear heads and customization is welcome.

L3FN SERIES

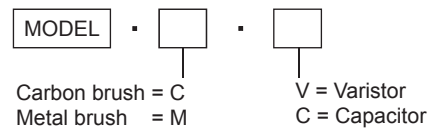


TRANSMOTEC SWEDEN AB

MOTOR SPECIFICATIONS

- Low cost
- Integral ems filter varistor capacitor
- Sleeve bearings
- Carbon or metal brush
- Ambient operating temperature -10..+60°C
- Customization is welcome

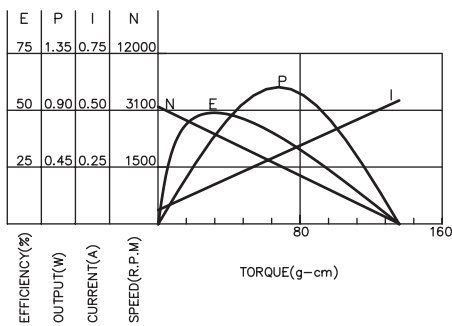
MODEL NO. DESIGNATIONS



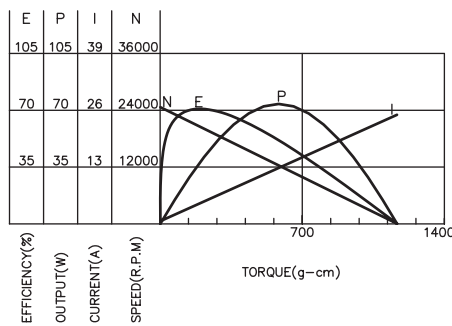
MOTOR DATA

MODEL	VOLTAGE		NO LOAD		AT MAXIMUM EFFICIENCY						STALL		
	OPERATING RANGE	NOMNAL	SPEED	CURRENT	SPEED	CURRENT	TORQUE		OUTPUT	EFF	CURRENT	TORQUE	
			rpm	A	rpm	A	g-cm	mN-m	W	%	A	g-cm	mN-m
LS3FN-12300	6.0-12.0	9.6V CONSTANT	3100	0.06	2327	0.17	31	3.04	0.74	49	0.54	136	13.33
LS3FN-14280	12.0-24.0	12.0V CONSTANT	4300	0.07	3445	0.23	42	4.12	1.49	57	0.98	243	23.82
LD3FN-5015	3.0-6.0	4.0V CONSTANT	25000	2.10	19920	10.77	135	13.24	27.69	65	41.90	627	61.47
LD3FN-26110	6.0-18.0	18.0V CONSTANT	15000	0.22	12804	1.60	149	14.61	19.61	69	9.85	1050	102.94

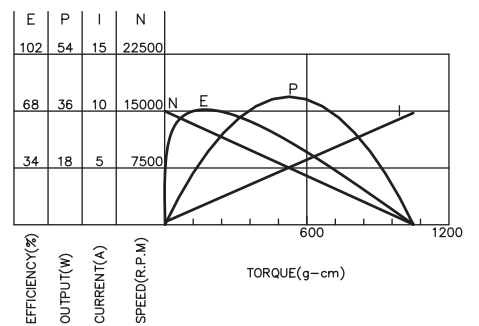
LS3FN-12300 9.6V



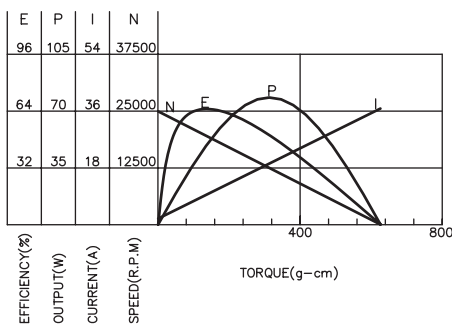
LS3FN-14280 12.0V



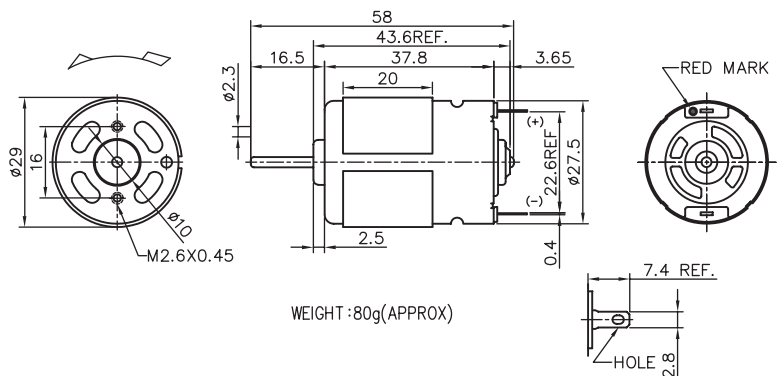
LD3FN-26110 18.0V



LD3FN-5015 4.0V



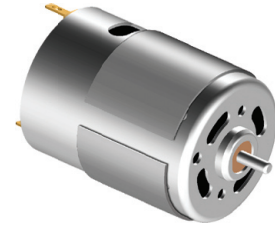
APPEARANCE SIZE



L5FN SERIES

DC-motors brush type low voltage designed especially for low cost and mass production. The motors are available with carbon or metal brushes and with integral emc filters as varistor and or capacitors. Please see the last part code digits shown in price list. Applications include scanners, mirrors, locks, toys, consumer goods, automotive, cameras, medical, HVAC, fans, vending machines, office machines, pumps, tools etc. The motors are available also with gear heads and customization is welcome.

L5FN SERIES

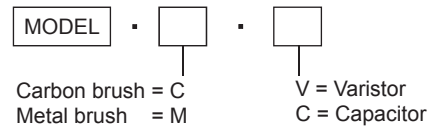


TRANSMOTEC SWEDEN AB

MOTOR SPECIFICATIONS

- Low cost
- Integral ems filter varistor capacitor
- Sleeve bearings
- Carbon or metal brush
- Ambient operating temperature -10..+60°C
- Customization is welcome

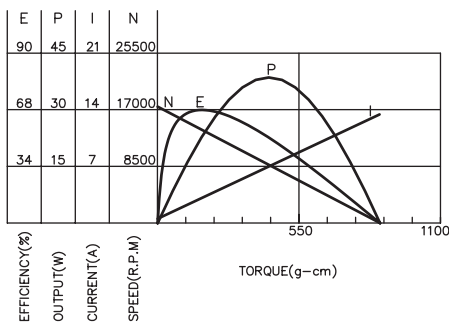
MODEL NO. DESIGNATIONS



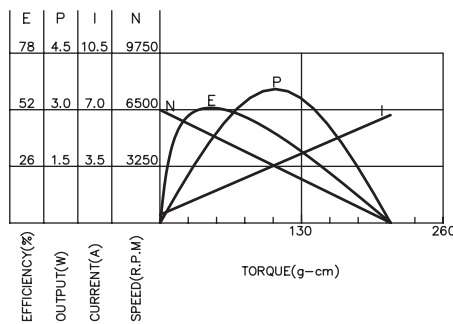
MOTOR DATA

MODEL	VOLTAGE		NO LOAD		AT MAXIMUM EFFICIENCY						STALL		
	OPERATING RANGE	NOMNAL	SPEED	CURRENT	SPEED	CURRENT	TORQUE		OUTPUT	EFF	CURRENT	TORQUE	
			rpm	A	rpm	A	g-cm	mN-m	W	%	A	g-cm	mN-m
LS5FN-3035	6.0 - 12.0	12.0V CONSTANT	17500	0.50	14663	2.93	159	15.59	24.03	68	13.45	864	84.71
LS5FN-3019	3.0 - 6.0	2.4V CONSTANT	6500	0.50	4914	1.84	45	4.41	2.30	53	6.69	212	20.78
LS5FN-15145	12.0 - 24.0	12.0V CONSTANT	4300	0.06	3407	0.26	49	4.80	1.73	57	1.04	255	25.00
LS5FN-16120	12.0 - 24.0	24.0V CONSTANT	9700	0.08	8270	0.46	82	8.04	7.01	66	2.61	570	55.88

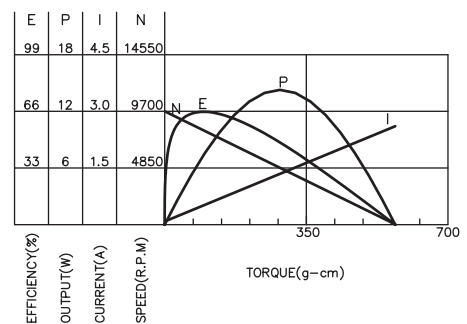
LS5FN-3035 12.0V



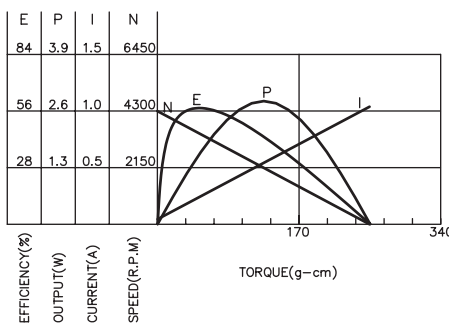
LS5FN-3019 2.4V



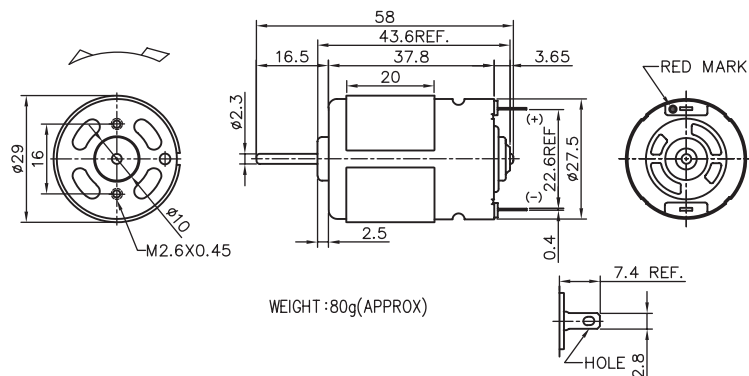
LS5FN-16120 24.0V



LS5FN-15145 12.0V



APPEARANCE SIZE



L-DD SERIES

DC-motors brush type low voltage designed especially for low cost and mass production. The motors are available with carbon or metal brushes and with integral emc filters as varistor and or capacitors. Please see the last part code digits shown in price list. Applications include scanners, mirrors, locks, toys, consumer goods, automotive, cameras, medical, HVAC, fans, vending machines, office machines, pumps, tools etc. The motors are available also with gear heads and customization is welcome.

L-DD SERIES

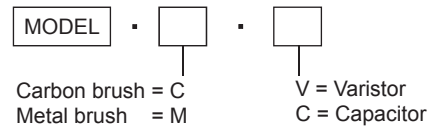


TRANSMOTEC SWEDEN AB

MOTOR SPECIFICATIONS

- Low cost
- Integral ems filter varistor capacitor
- Sleeve bearings
- Carbon or metal brush
- Ambient operating temperature -10..+60°C
- Customization is welcome

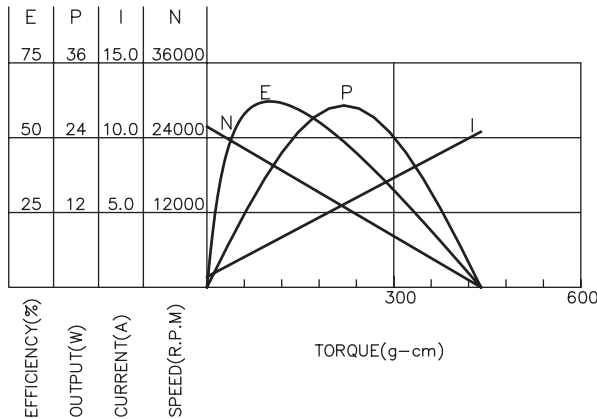
MODEL NO. DESIGNATIONS



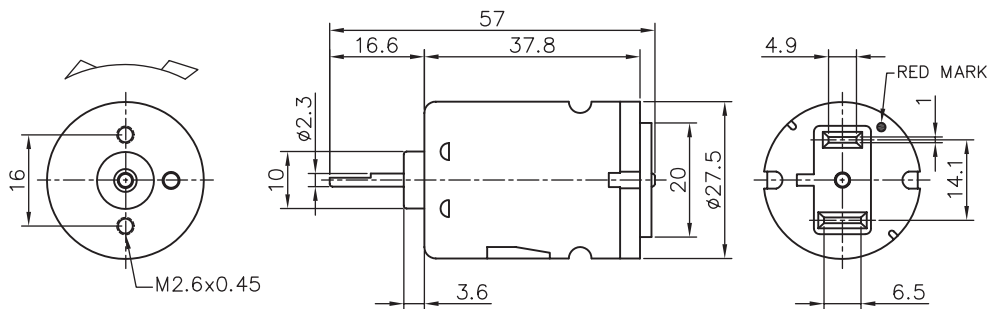
MOTOR DATA

MODEL	VOLTAGE		NO LOAD		AT MAXIMUM EFFICIENCY						STALL		
	OPERATING RANGE	NOMNAL	SPEED	CURRENT	SPEED	CURRENT	TORQUE		OUTPUT	EFF	CURRENT	TORQUE	
			rpm	A	rpm	A	g-cm	mN-m	W	%	A	g-cm	mN-m
LD5-3033AS-DD	6.0 - 12.0	12.0V CONSTANT	25800	0.70	19800	2.59	92.6	9.08	18.90	62.21	10.40	440	43.14

LD5-3033AS-DD 12.0V



APPEARANCE SIZE



WEIGHT : 70g(APPROX)

J3 SERIES

DC-motors brush type low voltage designed especially for low cost and mass production. The motors are available with carbon or metal brushes and with integral emc filters as varistor and or capacitors. Please see the last part code digits shown in price list. Applications include scanners, mirrors, locks, toys, consumer goods, automotive, cameras, medical, HVAC, fans, vending machines, office machines, pumps, tools etc. The motors are available also with gear heads and customization is welcome.

J3 SERIES

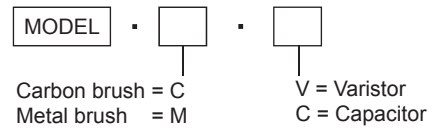


TRANSMOTEC SWEDEN AB

MOTOR SPECIFICATIONS

- Low cost
- Integral ems filter varistor capacitor
- Sleeve bearings
- Carbon or metal brush
- Ambient operating temperature -10..+60°C
- Customization is welcome

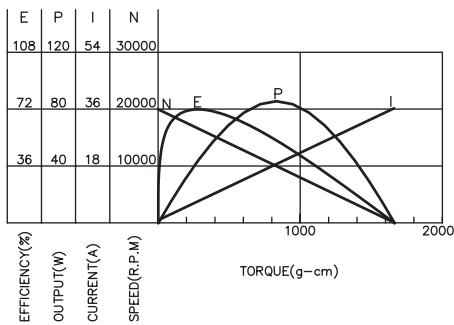
MODEL NO. DESIGNATIONS



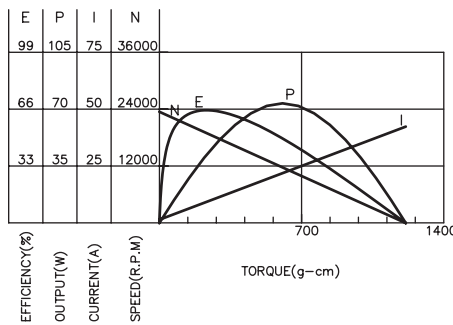
MOTOR DATA

MODEL	VOLTAGE		NO LOAD		AT MAXIMUM EFFICIENCY						STALL		
	OPERATING RANGE	NOMNAL	SPEED	CURRENT	SPEED	CURRENT	TORQUE		OUTPUT	EFF	CURRENT	TORQUE	
			rpm	A	rpm	A	g-cm	mN-m	W	%	A	g-cm	mN-m
JD3-4532	4.8 - 9.6	9.6V CONSTANT	20000	0.80	16892	5.60	223	23.86	38.73	72	36.39	1662	162.94
JD3-5520	3.6 - 7.2	7.2V CONSTANT	23500	1.50	19531	8.17	191	18.73	38.35	66	42.45	1214	119.02
JD3-14260	6.0 - 12.0	12.0V CONSTANT	3000	0.06	2350	0.22	64	6.27	1.54	60	0.91	334	32.75
JD3-24135	6.0 - 12.0	12.0V CONSTANT	5800	0.11	4943	0.54	77	7.55	3.93	63	3.20	596	58.43

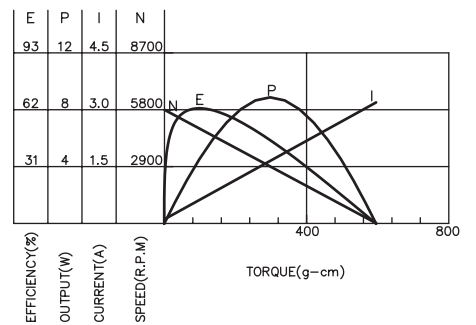
JD3-4532 9.6V



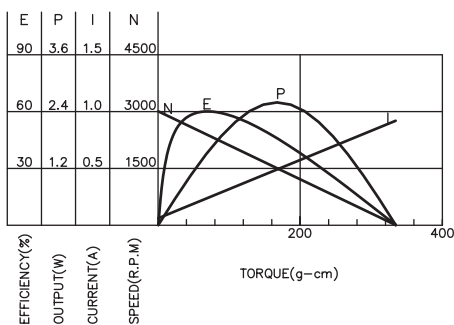
JD3-5520 7.2V



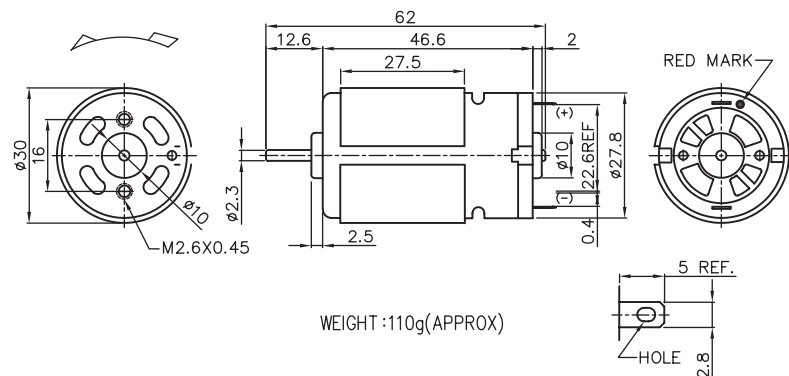
JD3-24135 12.0V



JD3-14260 12.0V



APPEARANCE SIZE



J5 SERIES

DC-motors brush type low voltage designed especially for low cost and mass production. The motors are available with carbon or metal brushes and with integral emc filters as varistor and or capacitors. Please see the last part code digits shown in price list. Applications include scanners, mirrors, locks, toys, consumer goods, automotive, cameras, medical, HVAC, fans, vending machines, office machines, pumps, tools etc. The motors are available also with gear heads and customization is welcome.

J5 SERIES

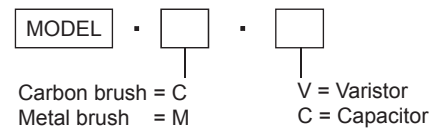


TRANSMOTEC SWEDEN AB

MOTOR SPECIFICATIONS

- Low cost
- Integral ems filter varistor capacitor
- Sleeve bearings
- Carbon or metal brush
- Ambient operating temperature -10..+60°C
- Customization is welcome

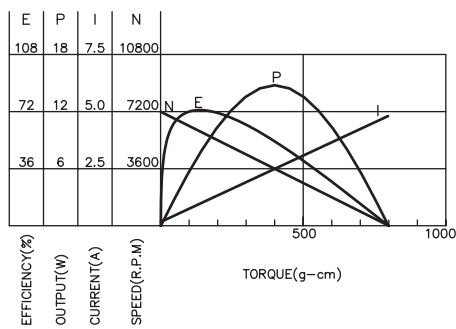
MODEL NO. DESIGNATIONS



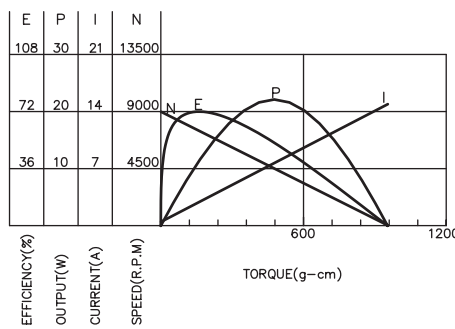
MOTOR DATA

MODEL	VOLTAGE		NO LOAD		AT MAXIMUM EFFICIENCY						STALL		
	OPERATING RANGE	NOMNAL	SPEED	CURRENT	SPEED	CURRENT	TORQUE		OUTPUT	EFF	CURRENT	TORQUE	
			rpm	A	rpm	A	g-cm	mN-m	W	%	A	g-cm	mN-m
JD5-2655	4.8 - 9.0	12.0V CONSTANT	7200	0.15	5917	0.87	123	12.11	7.50	73	4.81	798	78.25
JD5-3723	6.0 - 12.0	6.0V CONSTANT	9000	0.45	7576	2.46	136	13.33	10.64	72	14.97	954	93.53
JD5-14200	12.0 - 24.0	24.0V CONSTANT	4100	0.03	3481	0.18	85	8.33	3.06	69	1.15	642	62.94
JD5-18115	12.0 - 24.0	24.0V CONSTANT	6700	0.08	6169	0.40	111	10.88	7.07	75	2.72	883	86.57

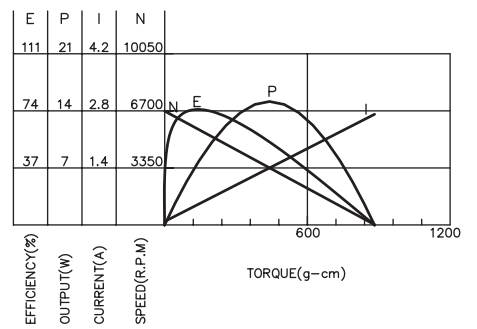
JD5-2655 12.0V



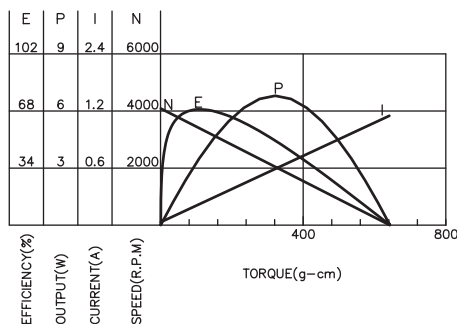
JD5-3723 6.0V



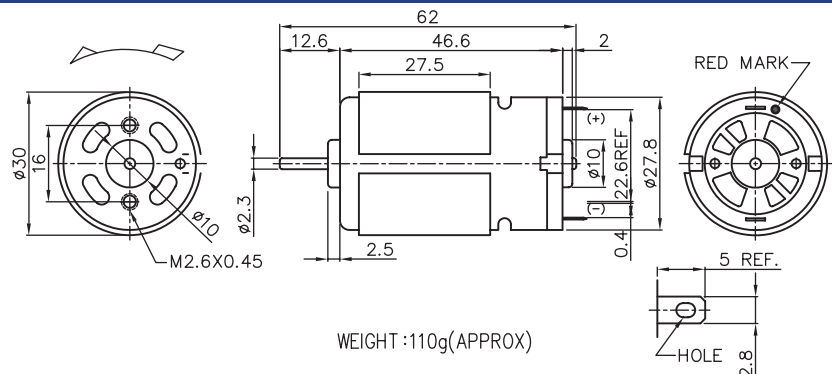
JD5-18115 24.0V



JD5-14200 24.0V



APPEARANCE SIZE



J3FN SERIES

DC-motors brush type low voltage designed especially for low cost and mass production. The motors are available with carbon or metal brushes and with integral emc filters as varistor and or capacitors. Please see the last part code digits shown in price list. Applications include scanners, mirrors, locks, toys, consumer goods, automotive, cameras, medical, HVAC, fans, vending machines, office machines, pumps, tools etc. The motors are available also with gear heads and customization is welcome.

J3FN SERIES

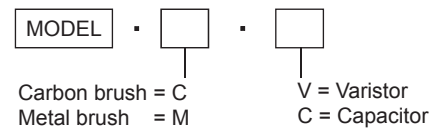


TRANSMOTEC SWEDEN AB

MOTOR SPECIFICATIONS

- Low cost
- Integral ems filter varistor capacitor
- Sleeve bearings
- Carbon or metal brush
- Ambient operating temperature -10..+60°C
- Customization is welcome

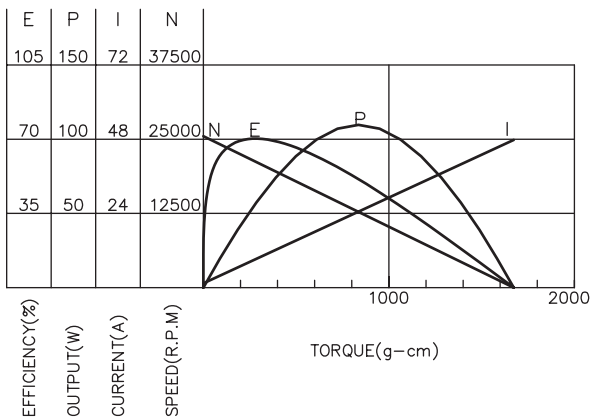
MODEL NO. DESIGNATIONS



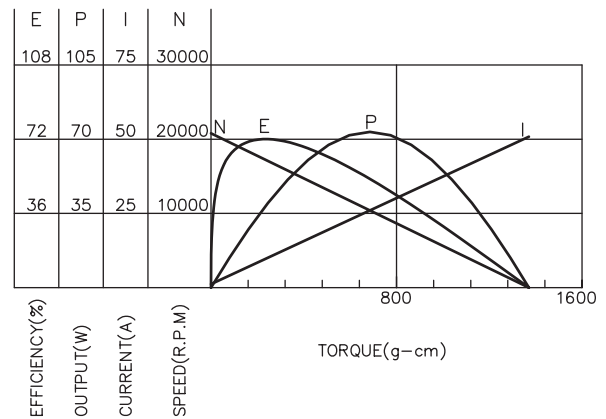
MOTOR DATA

MODEL	VOLTAGE		NO LOAD		AT MAXIMUM EFFICIENCY					STALL			
	OPERATING RANGE	NOMNAL	SPEED	CURRENT	SPEED	CURRENT	TORQUE	OUTPUT	EFF	CURRENT	TORQUE		
			rpm	A	rpm	A	g-cm	mN-m	W	%	A	g-cm	mN-m
JD3FN-5025	4.8 - 9.6	9.6V CONSTANT	25500	1.40	21834	7.75	230	22.55	51.68	70	47.75	1673	164.02
JD3FN-5518	6.0 - 12.0	6.0V CONSTANT	20800	1.20	17637	8.76	209	20.49	37.98	72	50.84	1371	134.41

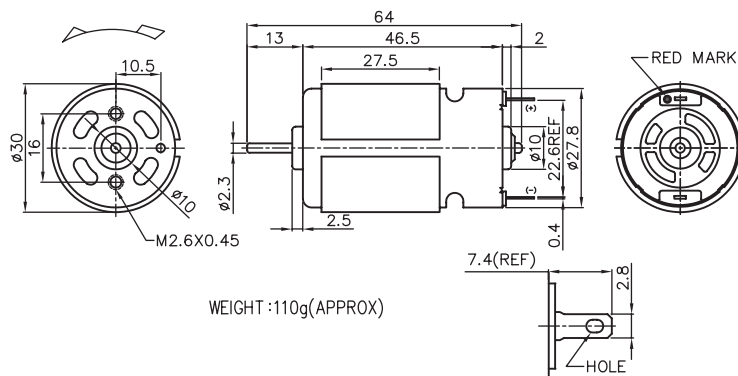
JD3FN-5025 9.6V



JD3FN-5518 6.0V



APPEARANCE SIZE



RF-500 SERIES

DC-motors brush type low voltage designed especially for low cost and mass production. The motors are available with carbon or metal brushes and with integral emc filters as varistor and or capacitors. Please see the last part code digits shown in price list. Applications include scanners, mirrors, locks, toys, consumer goods, automotive, cameras, medical, HVAC, fans, vending machines, office machines, pumps, tools etc. The motors are available also with gear heads and customization is welcome.

RF500 SERIES

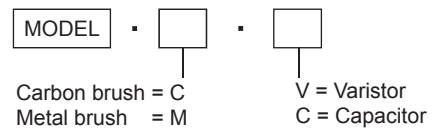


TRANSMOTEC SWEDEN AB

MOTOR SPECIFICATIONS

- Low cost
- Integral ems filter varistor capacitor
- Sleeve bearings
- Carbon or metal brush
- Ambient operating temperature -10..+60°C
- Customization is welcome

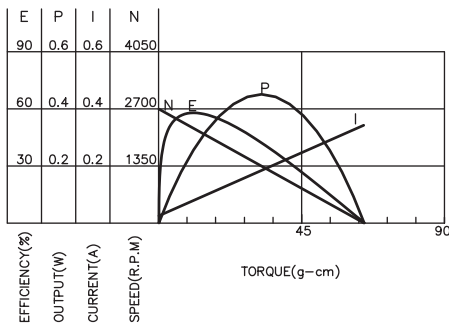
MODEL NO. DESIGNATIONS



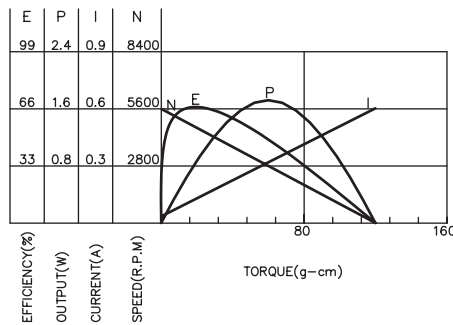
MOTOR DATA

MODEL	VOLTAGE		NO LOAD		AT MAXIMUM EFFICIENCY						STALL		
	OPERATING RANGE	NOMNAL	SPEED	CURRENT	SPEED	CURRENT	TORQUE	OUTPUT	EFF	CURRENT	TORQUE		
			rpm	A	rpm	A	g-cm	mN-m	W	%	A	g-cm	mN-m
RF-500TB-12560	6.0 - 12.0	6.0V CONSTANT	2700	0.02	2179	0.08	11	1.08	0.25	58	0.34	64	6.27
RF-500TB-12560	6.0 - 12.0	12.0V CONSTANT	5600	0.03	4653	0.11	18	1.76	0.88	67	0.60	120	11.76
RF-500TB-14415	6.0 - 12.0	6.0V CONSTANT	3700	0.04	3003	0.13	15	1.47	0.48	62	0.61	86	8.43
RF-500TB-18280	3.0 - 6.0	6.0V CONSTANT	5600	0.07	4411	0.28	22	2.16	0.99	61	1.33	125	12.25

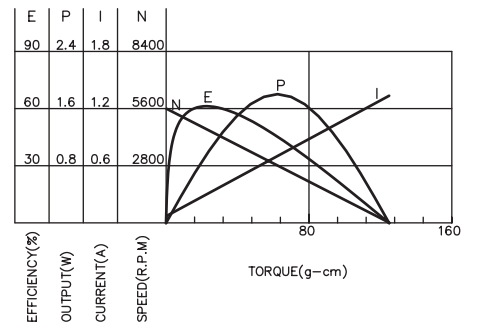
RF-500TB-12560 6.0V



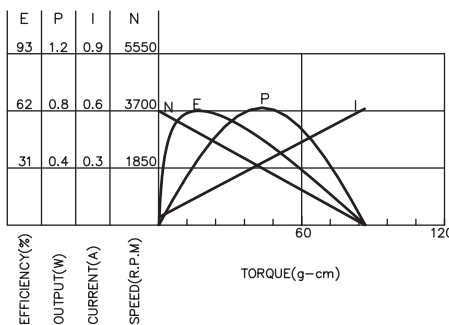
RF-500TB-12560 12.0V



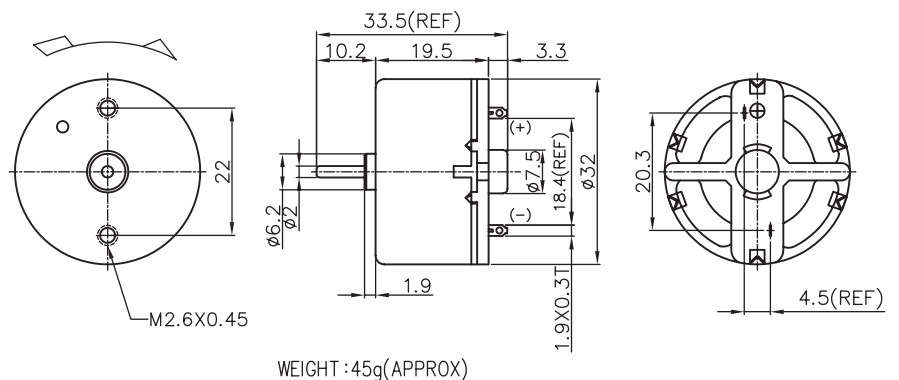
RF-500TB-18280 6.0V



RF-500TB-14415 6.0V



APPEARANCE SIZE



GR SERIES

DC-motors brush type low voltage designed especially for low cost and mass production. The motors are available with carbon or metal brushes and with integral emc filters as varistor and or capacitors. Please see the last part code digits shown in price list. Applications include scanners, mirrors, locks, toys, consumer goods, automotive, cameras, medical, HVAC, fans, vending machines, office machines, pumps, tools etc. The motors are available also with gear heads and customization is welcome.

GR SERIES

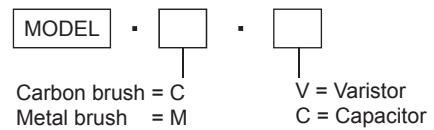


TRANSMOTEC SWEDEN AB

MOTOR SPECIFICATIONS

- Low cost
- Integral ems filter varistor capacitor
- Sleeve bearings
- Carbon or metal brush
- Ambient operating temperature -10..+60°C
- Customization is welcome

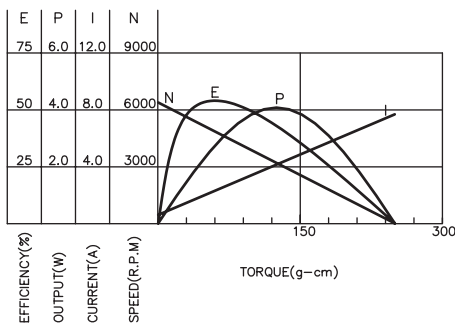
MODEL NO. DESIGNATIONS



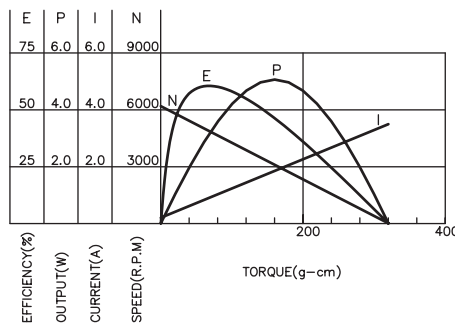
MOTOR DATA

MODEL	VOLTAGE		NO LOAD		AT MAXIMUM EFFICIENCY						STALL		
	OPERATING RANGE	NOMNAL	SPEED	CURRENT	SPEED	CURRENT	TORQUE	OUTPUT	EFF	CURRENT	TORQUE		
			rpm	A	rpm	A	g-cm	mN-m	W	%	A	g-cm	mN-m
GR-3548	1.2 - 3.6	2.4V CONSTANT	6400	0.60	5000	2.15	54.55	5.35	2.80	54.27	7.70	250	24.51
GR-24130	3.0 - 9.0	6.0V CONSTANT	6200	0.20	5140	0.79	54.50	5.34	2.87	60.67	3.50	320	31.37
GR-18260	6.0 - 18.0	12.0V CONSTANT	6200	0.12	5100	0.47	59.81	5.86	3.14	55.60	2.20	340	33.33
GR-12530	12.0 - 24.0	24.0V CONSTANT	6200	0.06	5000	0.21	61.76	6.05	3.17	62.31	0.90	320	31.37

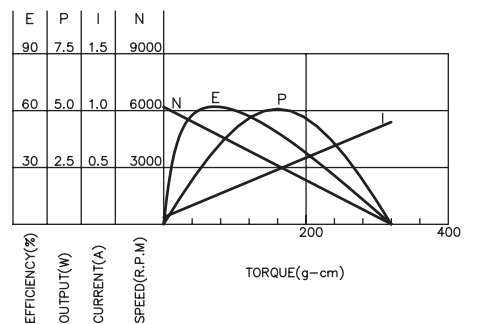
GR-3548 2.4V



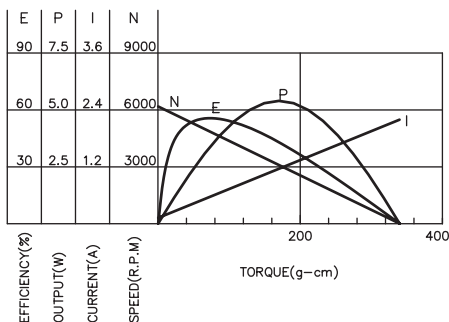
GR-24130 6.0V



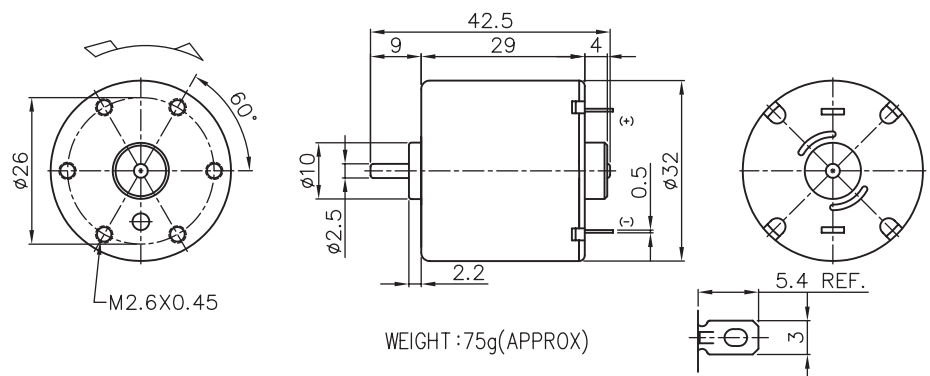
GR-12530 24.0V



GR-18260 12.0V



APPEARANCE SIZE



H3SN SERIES

DC-motors brush type low voltage designed especially for low cost and mass production. The motors are available with carbon or metal brushes and with integral emc filters as varistor and or capacitors. Please see the last part code digits shown in price list. Applications include scanners, mirrors, locks, toys, consumer goods, automotive, cameras, medical, HVAC, fans, vending machines, office machines, pumps, tools etc. The motors are available also with gear heads and customization is welcome.

H3SN SERIES

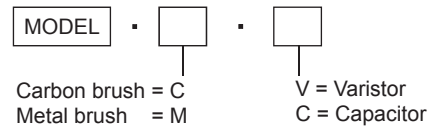


TRANSMOTEC SWEDEN AB

MOTOR SPECIFICATIONS

- Low cost
- Integral ems filter varistor capacitor
- Sleeve bearings
- Carbon or metal brush
- Ambient operating temperature -10..+60°C
- Customization is welcome

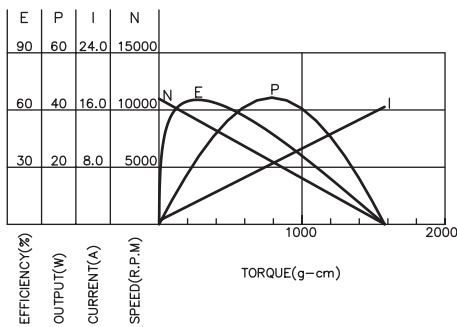
MODEL NO. DESIGNATIONS



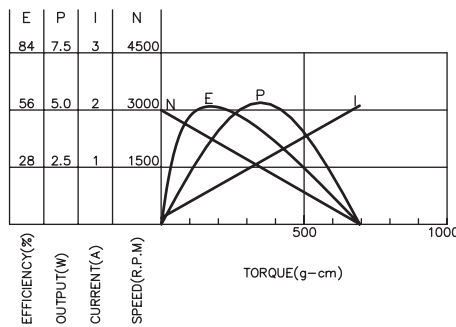
MOTOR DATA

MODEL	VOLTAGE		NO LOAD		AT MAXIMUM EFFICIENCY						STALL		
	OPERATING RANGE	NOMNAL	SPEED	CURRENT	SPEED	CURRENT	TORQUE	OUTPUT	EFF	CURRENT	TORQUE		
			rpm	A	rpm	A	g-cm	mN-m	W	%	A	g-cm	mN-m
HS3SN-4070	6.0 - 12.0	12.0V CONSTANT	11000	0.50	9360	2.87	235	23.04	22.58	65	16.46	1580	154.90
HS3SN-22240	12.0 - 24.0	12.0V CONSTANT	3000	0.11	2304	0.56	162	15.88	3.84	58	2.07	695	68.14
HP3SN-5048	12.0 - 24.0	12.0V CONSTANT	16200	0.86	13812	5.38	312	30.59	44.34	69	32.55	2186	214.31
HP3SN-26135	12.0 - 24.0	12.0V CONSTANT	5400	0.20	4464	0.98	163	15.98	7.50	65	5.43	1081	105.98

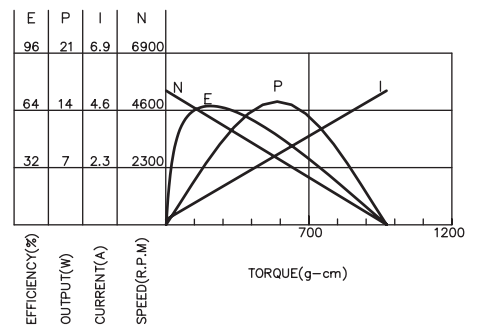
HS3SN-4070 12.0V



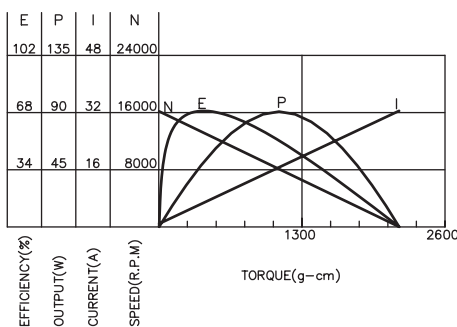
HS3SN-22240 12.0V



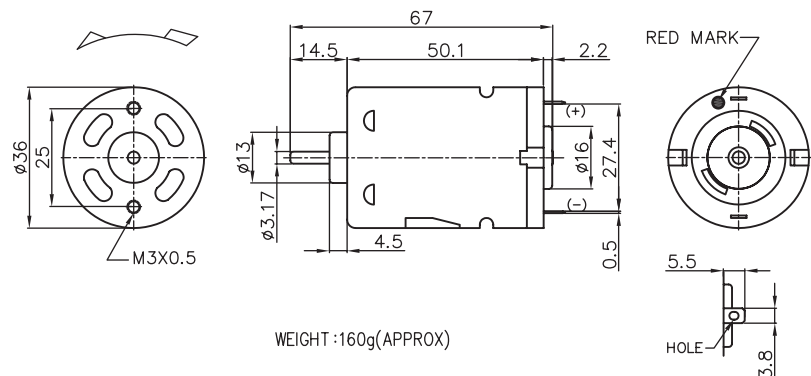
HP3SN-26135 24.0V



HP3SN-5048 12.0V



APPEARANCE SIZE



H5N SERIES

DC-motors brush type low voltage designed especially for low cost and mass production. The motors are available with carbon or metal brushes and with integral emc filters as varistor and or capacitors. Please see the last part code digits shown in price list. Applications include scanners, mirrors, locks, toys, consumer goods, automotive, cameras, medical, HVAC, fans, vending machines, office machines, pumps, tools etc. The motors are available also with gear heads and customization is welcome.

H5N SERIES

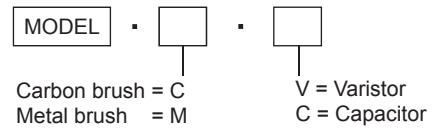


TRANSMOTEC SWEDEN AB

MOTOR SPECIFICATIONS

- Low cost
- Integral ems filter varistor capacitor
- Sleeve bearings
- Carbon or metal brush
- Ambient operating temperature -10..+60°C
- Customization is welcome

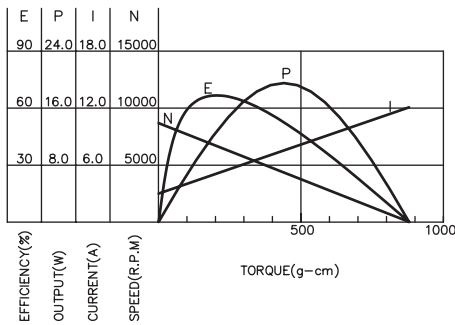
MODEL NO. DESIGNATIONS



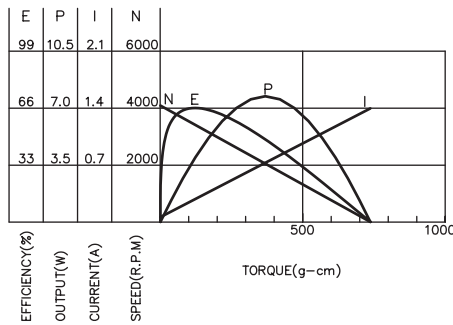
MOTOR DATA

MODEL	VOLTAGE		NO LOAD		AT MAXIMUM EFFICIENCY						STALL		
	OPERATING RANGE	NOMNAL	SPEED	CURRENT	SPEED	CURRENT	TORQUE	OUTPUT	EFF	CURRENT	TORQUE		
			rpm	A	rpm	A	g-cm	mN-m	W	%	A	g-cm	mN-m
HS5N-4525	6.0 - 12.0	6.0V CONSTANT	8700	1.00	6830	3.30	190	18.63	13.25	66	12.10	880	86.27
HS5N-16200	12.0 - 24.0	24.0V CONSTANT	4100	0.60	3532	0.24	96	9.41	3.49	66	1.41	738	72.35
HP5N-20120	12.0 - 24.0	12.0V CONSTANT	3100	0.12	2382	0.47	129	12.65	3.17	56	1.79	612	60.00
HP5N-20130	12.0 - 24.0	24.0V CONSTANT	5600	0.12	4658	0.51	161	15.78	7.71	66	2.26	1148	112.55

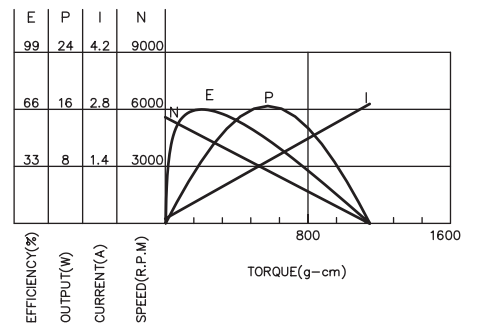
HS5N-4525 6.0V



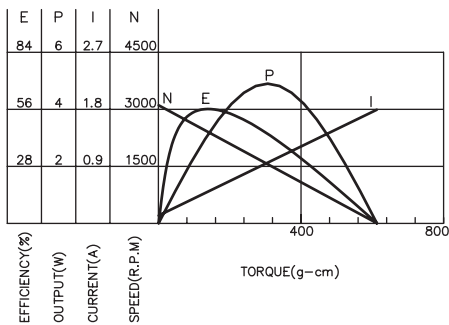
HS5N-16200 24.0V



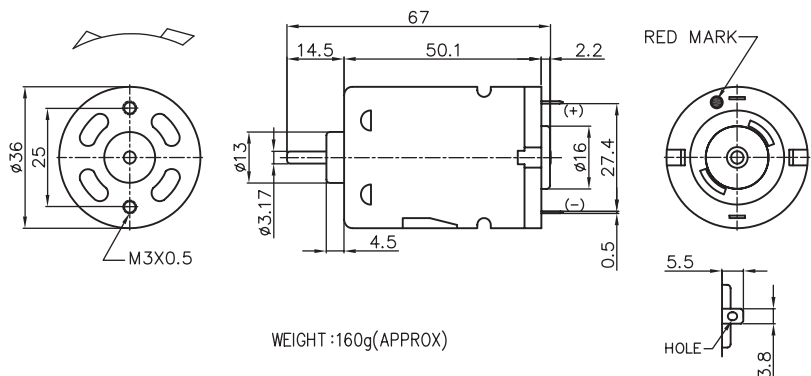
HP5N-20130 24.0V



HP5N-20120 12.0V



APPEARANCE SIZE



H3SFN SERIES

DC-motors brush type low voltage designed especially for low cost and mass production. The motors are available with carbon or metal brushes and with integral emc filters as varistor and or capacitors. Please see the last part code digits shown in price list. Applications include scanners, mirrors, locks, toys, consumer goods, automotive, cameras, medical, HVAC, fans, vending machines, office machines, pumps, tools etc. The motors are available also with gear heads and customization is welcome.

H3SFN SERIES

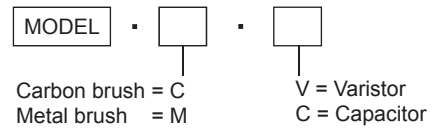


TRANSMOTEC SWEDEN AB

MOTOR SPECIFICATIONS

- Low cost
- Integral ems filter varistor capacitor
- Sleeve bearings
- Carbon or metal brush
- Ambient operating temperature -10..+60°C
- Customization is welcome

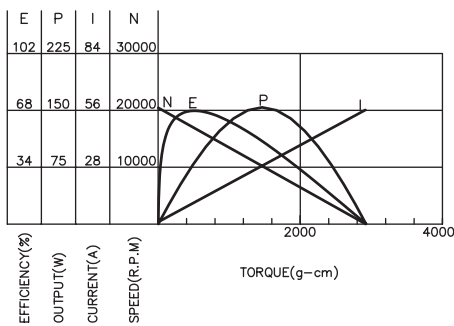
MODEL NO. DESIGNATIONS



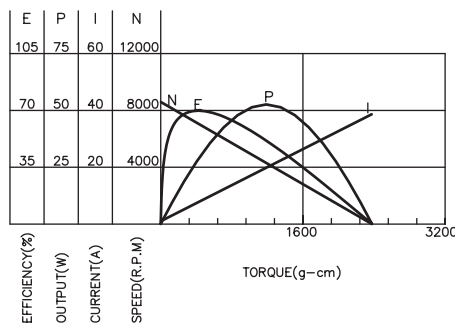
MOTOR DATA

MODEL	VOLTAGE		NO LOAD		AT MAXIMUM EFFICIENCY						STALL		
	OPERATING RANGE	NOMNAL	SPEED	CURRENT	SPEED	CURRENT	TORQUE	OUTPUT	EFF	CURRENT	TORQUE		
			rpm	A	rpm	A	g-cm	mN-m	W	%	A	g-cm	mN-m
HD3SFN-6035	12.0 - 24.0	12.0V CONSTANT	20500	1.00	17212	8.25	380	37.25	67.17	68	56.32	2920	286.27
HD3SFN-6040	6.0 - 12.0	6.0V CONSTANT	8600	1.00	7396	5.90	326	31.96	24.82	70	38.69	2375	232.84
HS3SFN-7523	3.6 - 6.0	4.8V CONSTANT	14000	1.80	11696	9.10	244	23.92	29.34	68	53.75	1685	165.20
HS3SFN-22240	6.0 - 12.0	12.0V CONSTANT	3100	0.12	2608	0.44	125	12.25	3.34	62	2.29	790	77.45

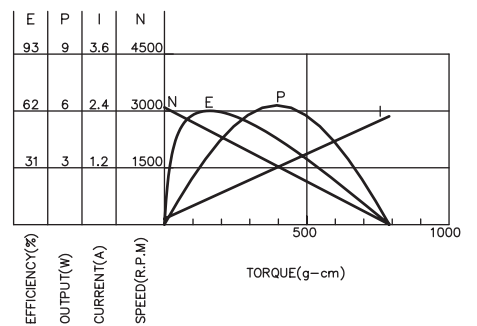
HD3SFN-6035 12.0V



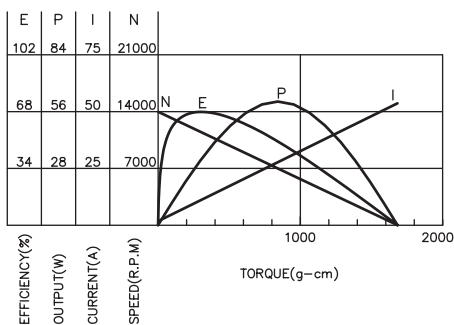
HD3SFN-6040 6.0V



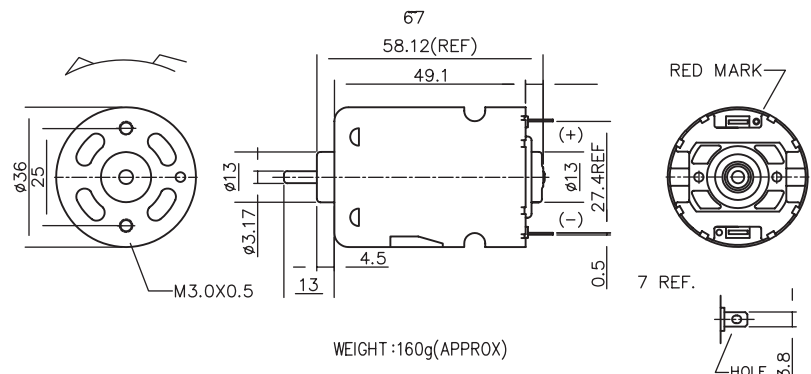
HS3SFN-22240 12.0V



HS3SFN-7523 4.8V



APPEARANCE SIZE



H5FN SERIES

DC-motors brush type low voltage designed especially for low cost and mass production. The motors are available with carbon or metal brushes and with integral emc filters as varistor and or capacitors. Please see the last part code digits shown in price list. Applications include scanners, mirrors, locks, toys, consumer goods, automotive, cameras, medical, HVAC, fans, vending machines, office machines, pumps, tools etc. The motors are available also with gear heads and customization is welcome.

H5FN SERIES

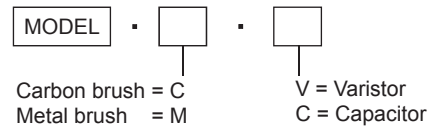


TRANSMOTEC SWEDEN AB

MOTOR SPECIFICATIONS

- Low cost
- Integral ems filter varistor capacitor
- Sleeve bearings
- Carbon or metal brush
- Ambient operating temperature -10..+60°C
- Customization is welcome

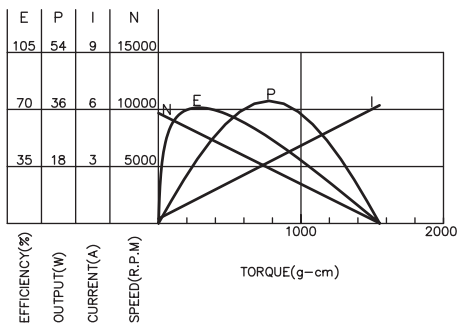
MODEL NO. DESIGNATIONS



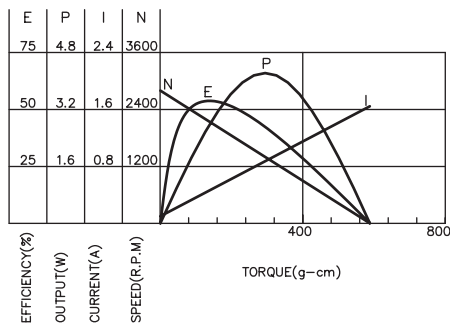
MOTOR DATA

MODEL	VOLTAGE		NO LOAD		AT MAXIMUM EFFICIENCY						STALL		
	OPERATING RANGE	NOMNAL	SPEED	CURRENT	SPEED	CURRENT	TORQUE	OUTPUT	EFF	CURRENT	TORQUE		
			rpm	A	rpm	A	g-cm	mN-m	W	%	A	g-cm	mN-m
HD5FN-2485	12.0 - 24.0	24.0V CONSTANT	9700	0.26	7924	1.08	226	22.16	18.39	71	6.23	1553	152.25
HS5FN-19130	6.0 - 12.0	12.0V CONSTANT	2800	0.10	2170	0.44	126	12.35	2.81	54	1.65	589	57.75
HP5FN-2670	12.0 - 24.0	24.0V CONSTANT	10600	0.70	8666	1.93	311	30.49	27.69	60	9.05	1739	170.49
HP5FN-3250	12.0 - 24.0	12.0V CONSTANT	7400	0.32	6211	1.76	219	21.47	13.96	66	9.83	1451	142.25

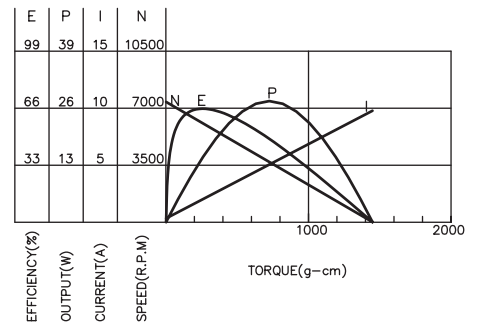
HD5FN-2485 12.0V



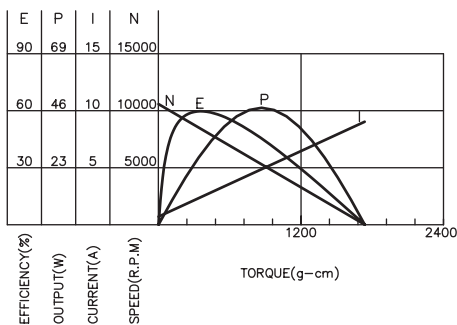
HS5FN-19130 12.0V



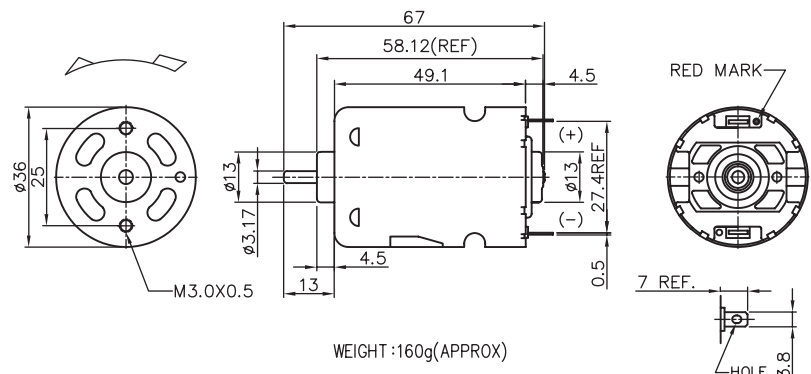
HP5FN-3250 12.0V



HP5FN-2670 24.0V



APPEARANCE SIZE



H12N SERIES

DC-motors brush type low voltage designed especially for low cost and mass production. The motors are available with carbon or metal brushes and with integral emc filters as varistor and or capacitors. Please see the last part code digits shown in price list. Applications include scanners, mirrors, locks, toys, consumer goods, automotive, cameras, medical, HVAC, fans, vending machines, office machines, pumps, tools etc. The motors are available also with gear heads and customization is welcome.

H12N SERIES

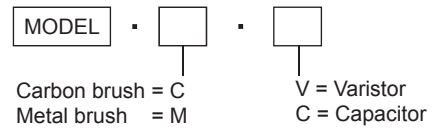


TRANSMOTEC SWEDEN AB

MOTOR SPECIFICATIONS

- Low cost
- Integral ems filter varistor capacitor
- Sleeve bearings
- Carbon or metal brush
- Ambient operating temperature -10..+60°C
- Customization is welcome

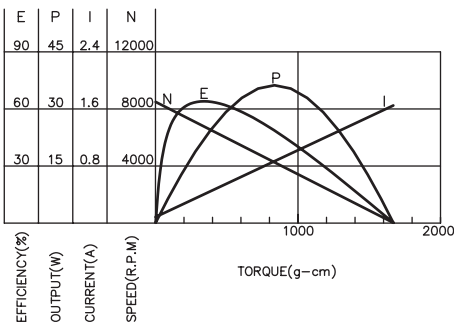
MODEL NO. DESIGNATIONS



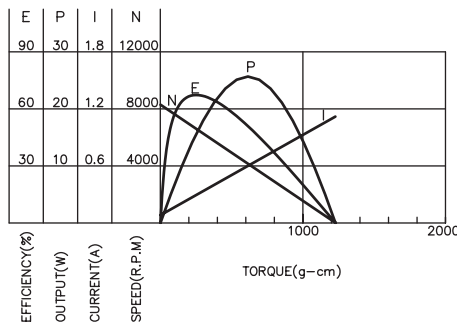
MOTOR DATA

MODEL	VOLTAGE		NO LOAD		AT MAXIMUM EFFICIENCY						STALL		
	OPERATING RANGE	NOMNAL	SPEED	CURRENT	SPEED	CURRENT	TORQUE	OUTPUT	EFF	CURRENT	TORQUE		
			rpm	A	rpm	A	g-cm	mN-m	W	%	A	g-cm	mN-m
HD12N-11140	90 - 110	100V CONSTANT	8500	0.09	7380	0.26	220	21.57	16.66	64.07	1.65	1670	163.73
HD12N-10160	90 - 120	100V CONSTANT	8300	0.08	7000	0.20	190	18.63	13.52	67.60	1.12	1230	120.59
HD12N-09190	90 - 130	125V CONSTANT	8300	0.07	7000	0.18	200	19.61	14.36	63.82	0.95	1250	122.55
HD12N-08220	90 - 130	130V CONSTANT	7650	0.05	6200	0.15	190	18.63	12.38	63.49	0.65	1030	100.98

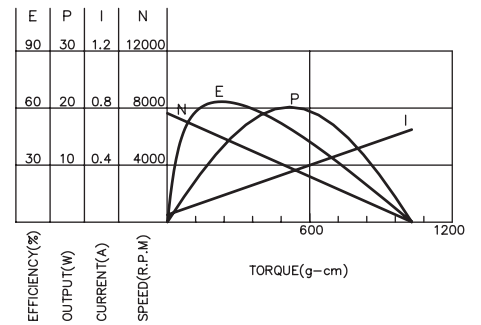
HD12N-11140 100V



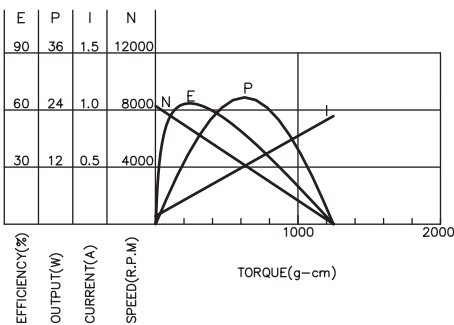
HD12N-10160 100V



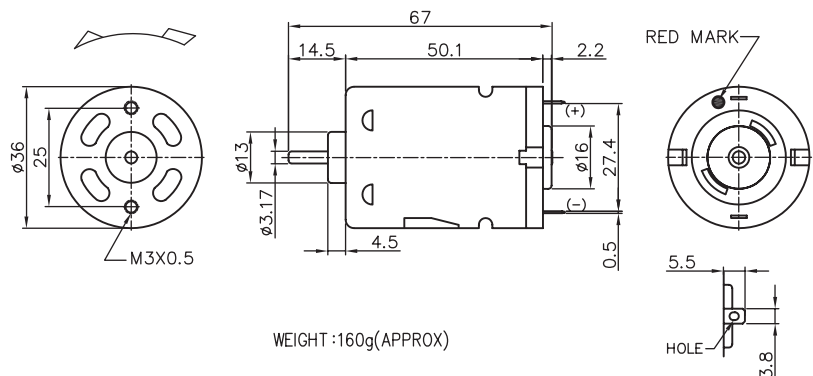
HD12N-08220 130V



HD12N-09190 125V



APPEARANCE SIZE



K3N SERIES

DC-motors brush type low voltage designed especially for low cost and mass production. The motors are available with carbon or metal brushes and with integral emc filters as varistor and or capacitors. Please see the last part code digits shown in price list. Applications include scanners, mirrors, locks, toys, consumer goods, automotive, cameras, medical, HVAC, fans, vending machines, office machines, pumps, tools etc. The motors are available also with gear heads and customization is welcome.

K3N SERIES

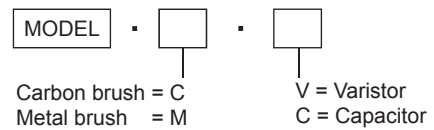


TRANSMOTEC SWEDEN AB

MOTOR SPECIFICATIONS

- Low cost
- Integral ems filter varistor capacitor
- Sleeve bearings
- Carbon or metal brush
- Ambient operating temperature -10..+60°C
- Customization is welcome

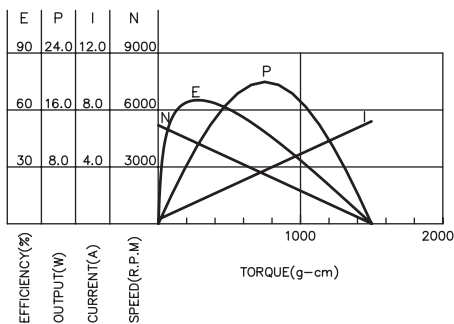
MODEL NO. DESIGNATIONS



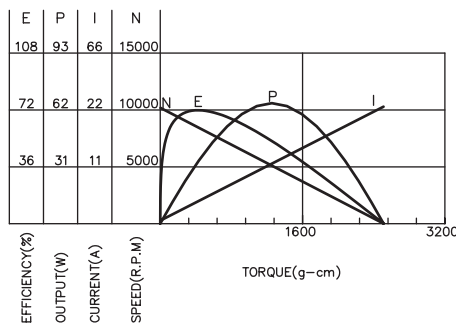
MOTOR DATA

MODEL	VOLTAGE		NO LOAD		AT MAXIMUM EFFICIENCY						STALL		
	OPERATING RANGE	NOMNAL	SPEED	CURRENT	SPEED	CURRENT	TORQUE	OUTPUT	EFF	CURRENT	TORQUE		
			rpm	A	rpm	A	g-cm	mN-m	W	%	A	g-cm	mN-m
KS3N-30100	12.0 - 24.0	12.0V CONSTANT	5200	0.30	4300	1.33	235	23.04	10.50	65	7.21	1500	147.06
KS3N-4553	12.0 - 24.0	12.0V CONSTANT	10200	0.60	8496	3.60	353	34.61	30.86	72	22.68	2513	246.37
KP3N-7521	7.2 - 24.0	7.2V CONSTANT	14500	1.50	12771	9.89	390	38.24	51.24	72	79.81	3608	353.73
KP3N-35110	6.0 - 12.0	12.0V CONSTANT	4500	0.15	3858	1.14	242	23.73	9.61	71	8.33	2020	198.04

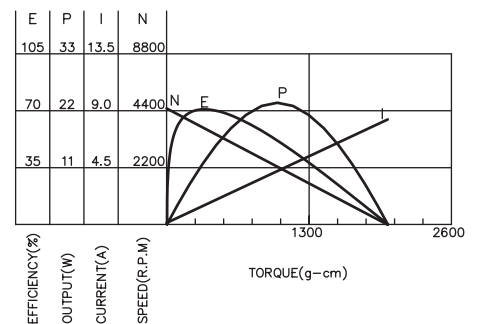
KS3N-30100 12.0V



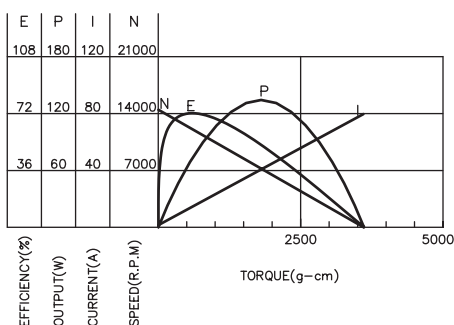
KS3N-4553 12.0V



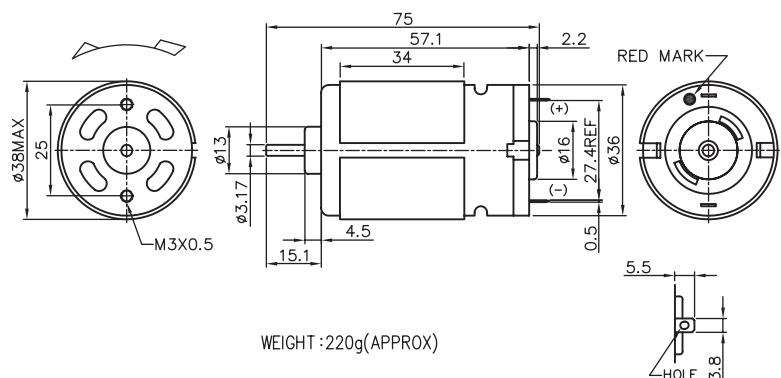
KP3N-35110 12.0V



KP3N-7521 7.2V



APPEARANCE SIZE



K5N SERIES

DC-motors brush type low voltage designed especially for low cost and mass production. The motors are available with carbon or metal brushes and with integral emc filters as varistor and or capacitors. Please see the last part code digits shown in price list. Applications include scanners, mirrors, locks, toys, consumer goods, automotive, cameras, medical, HVAC, fans, vending machines, office machines, pumps, tools etc. The motors are available also with gear heads and customization is welcome.

K5N SERIES

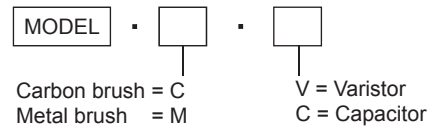


TRANSMOTEC SWEDEN AB

MOTOR SPECIFICATIONS

- Low cost
- Integral ems filter varistor capacitor
- Sleeve bearings
- Carbon or metal brush
- Ambient operating temperature -10..+60°C
- Customization is welcome

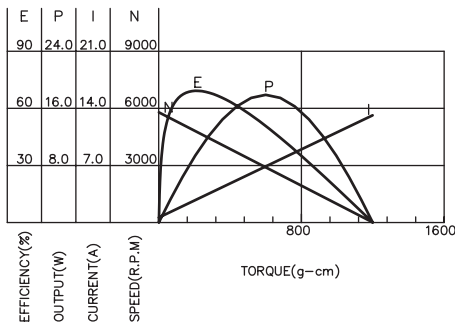
MODEL NO. DESIGNATIONS



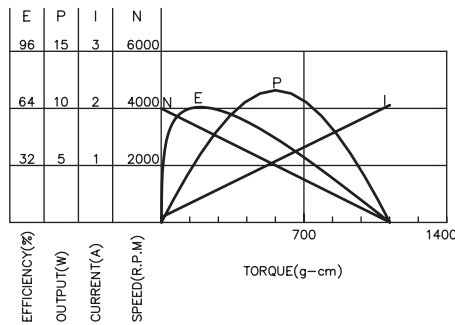
MOTOR DATA

MODEL	VOLTAGE		NO LOAD		AT MAXIMUM EFFICIENCY						STALL		
	OPERATING RANGE	NOMNAL	SPEED	CURRENT	SPEED	CURRENT	TORQUE	OUTPUT	EFF	CURRENT	TORQUE		
			rpm	A	rpm	A	g-cm	mN-m	W	%	A	g-cm	mN-m
KD5N-4525	6.0 - 12.0	6.0V CONSTANT	5500	0.70	4300	2.72	250	24.51	11.12	69	12.50	1360	133.33
KS5N-18130	12.0 - 24.0	24.0V CONSTANT	4000	0.09	3351	0.36	156	15.29	5.38	65	2.06	1122	110.00
KP5N-3732	6.0 - 12.0	12.0V CONSTANT	8400	0.28	7199	1.81	207	20.29	15.34	71	13.83	1837	180.10
KP5N-18150	12.0 - 24.0	24.0V CONSTANT	3700	0.95	3036	0.40	211	20.69	6.59	69	1.95	1214	119.02

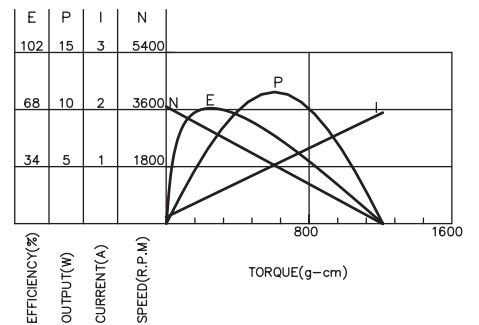
KD5N-4525 6.0V



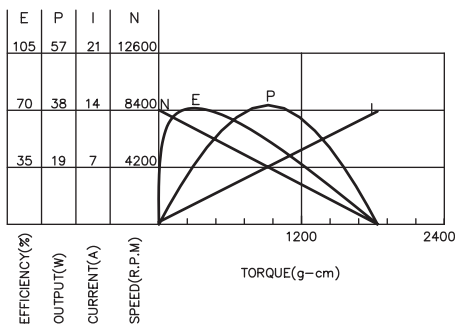
KS5N-18130 24.0V



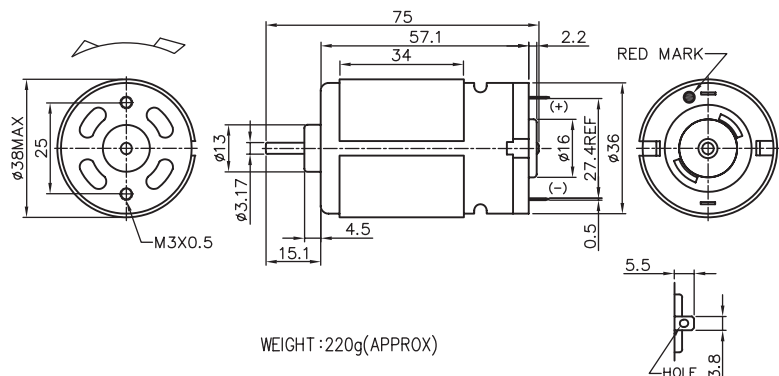
KP5N-18150 24.0V



KP5N-3732 12.0V



APPEARANCE SIZE



K5FN SERIES

DC-motors brush type low voltage designed especially for low cost and mass production. The motors are available with carbon or metal brushes and with integral emc filters as varistor and or capacitors. Please see the last part code digits shown in price list. Applications include scanners, mirrors, locks, toys, consumer goods, automotive, cameras, medical, HVAC, fans, vending machines, office machines, pumps, tools etc. The motors are available also with gear heads and customization is welcome.

K5FN SERIES

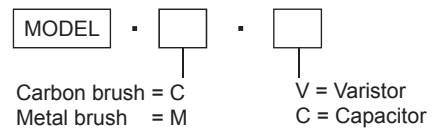


TRANSMOTEC SWEDEN AB

MOTOR SPECIFICATIONS

- Low cost
- Integral ems filter varistor capacitor
- Sleeve bearings
- Carbon or metal brush
- Ambient operating temperature -10..+60°C
- Customization is welcome

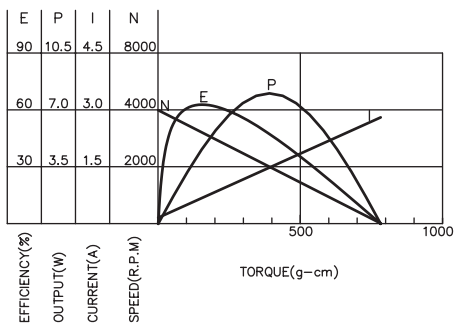
MODEL NO. DESIGNATIONS



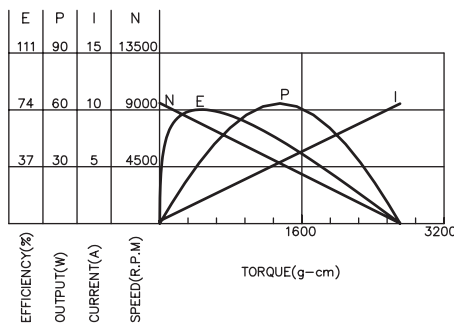
MOTOR DATA

MODEL	VOLTAGE		NO LOAD		AT MAXIMUM EFFICIENCY						STALL		
	OPERATING RANGE	NOMNAL	SPEED	CURRENT	SPEED	CURRENT	TORQUE	OUTPUT	EFF	CURRENT	TORQUE		
			rpm	A	rpm	A	g-cm	mN-m	W	%	A	g-cm	mN-m
KS5FN-2462	12.0 - 24.0	12.0V CONSTANT	4000	0.15	3184	0.63	142	13.92	4.64	63	2.80	784	76.86
KS5FN-3060	12.0 - 24.0	24.0V CONSTANT	9100	0.22	7764	1.52	341	33.43	27.22	74	10.62	2709	265.59
KC5FN-5021F	12.0 - 24.0	24.0V CONSTANT	22800	1.30	20877	7.07	545	53.43	116.84	71	57.29	5250	514.71
KP5FN-22105	12.0 - 28.0	28.0V CONSTANT	6200	0.12	5252	0.65	240	23.53	12.98	73	4.14	1834	179.80

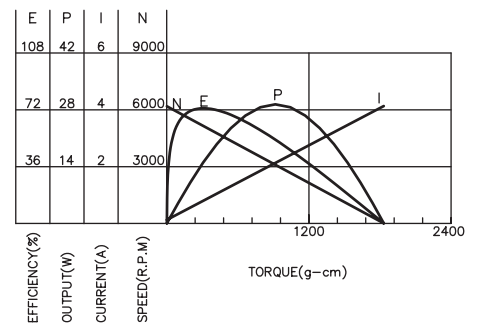
KS5FN-2462 12.0V



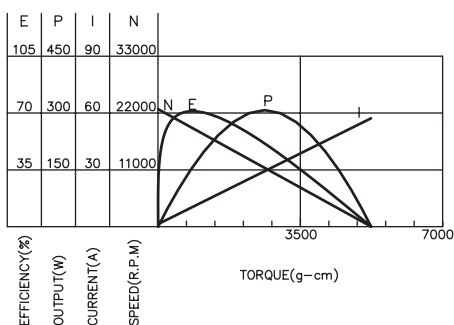
KS5FN-3060 24.0V



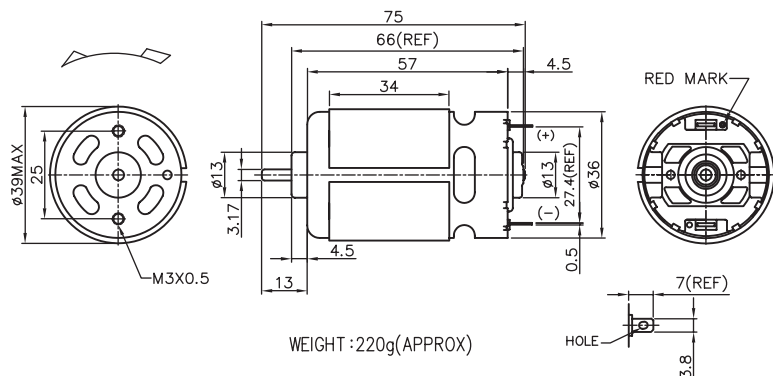
KP5FN-22105 28.0V



KC5FN-5021F 24.0V



APPEARANCE SIZE



K12N SERIES

DC-motors brush type low voltage designed especially for low cost and mass production. The motors are available with carbon or metal brushes and with integral emc filters as varistor and or capacitors. Please see the last part code digits shown in price list. Applications include scanners, mirrors, locks, toys, consumer goods, automotive, cameras, medical, HVAC, fans, vending machines, office machines, pumps, tools etc. The motors are available also with gear heads and customization is welcome.

K12N SERIES

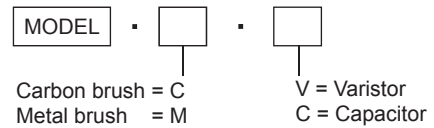


TRANSMOTEC SWEDEN AB

MOTOR SPECIFICATIONS

- Low cost
- Integral ems filter varistor capacitor
- Sleeve bearings
- Carbon or metal brush
- Ambient operating temperature -10..+60°C
- Customization is welcome

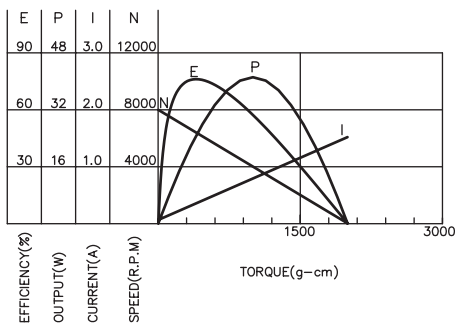
MODEL NO. DESIGNATIONS



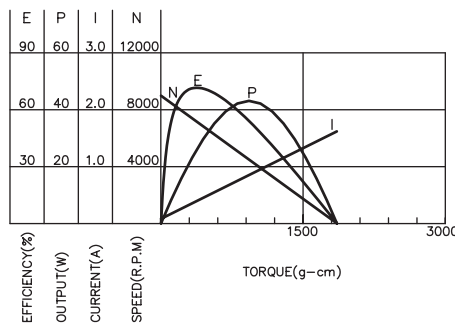
MOTOR DATA

MODEL	VOLTAGE		NO LOAD		AT MAXIMUM EFFICIENCY						STALL		
	OPERATING RANGE	NOMNAL	SPEED	CURRENT	SPEED	CURRENT	TORQUE	OUTPUT	EFF	CURRENT	TORQUE		
			rpm	A	rpm	A	g-cm	mN-m	W	%	A	g-cm	mN-m
KD12N-11130	90 - 130	110V CONSTANT	8000	0.06	7000	0.22	275	26.96	19.63	76.43	1.52	2000	196.08
KD12N-11115	90 - 130	110V CONSTANT	9000	0.08	7600	0.27	275	26.96	21.50	71.78	1.62	1860	182.35
KD12N-10160	90 - 130	130V CONSTANT	7800	0.06	6500	0.21	289	28.33	19.40	71.77	1.10	1800	176.47
KD12N-10145	90 - 130	110V CONSTANT	7100	0.05	6100	0.17	210	20.59	13.45	73.86	1.09	1600	156.86

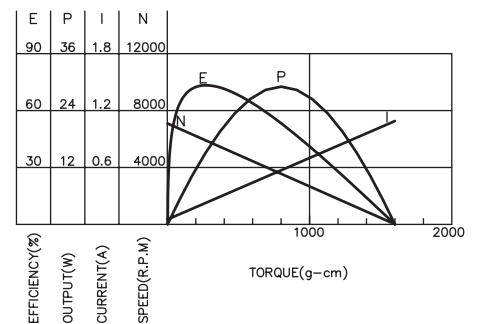
KD12N-11130 110V



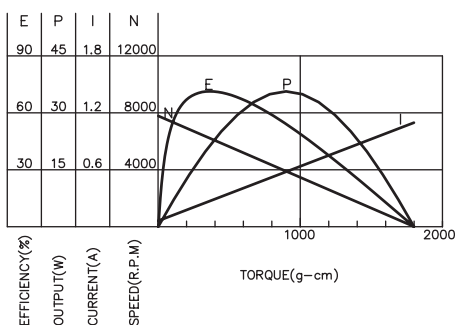
KD12N-11115 110V



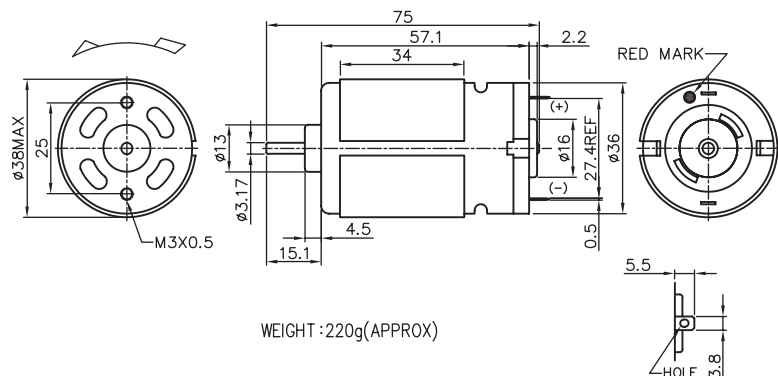
KD12N-10145 110V



KD12N-10160 130V



APPEARANCE SIZE



N3SFN SERIES

DC-motors brush type low voltage designed especially for low cost and mass production. The motors are available with carbon or metal brushes and with integral emc filters as varistor and or capacitors. Please see the last part code digits shown in price list. Applications include scanners, mirrors, locks, toys, consumer goods, automotive, cameras, medical, HVAC, fans, vending machines, office machines, pumps, tools etc. The motors are available also with gear heads and customization is welcome.

N3SFN SERIES

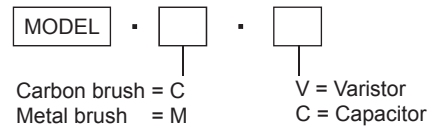


TRANSMOTEC SWEDEN AB

MOTOR SPECIFICATIONS

- Low cost
- Integral ems filter varistor capacitor
- Sleeve bearings
- Carbon or metal brush
- Ambient operating temperature -10..+60°C
- Customization is welcome

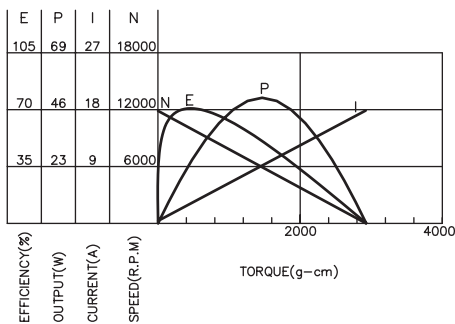
MODEL NO. DESIGNATIONS



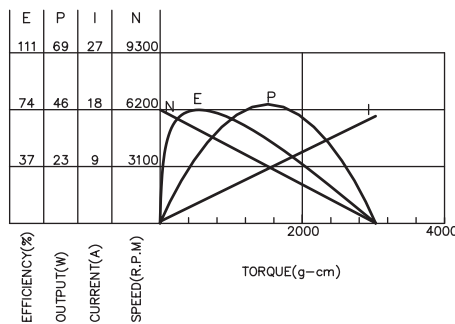
MOTOR DATA

MODEL	VOLTAGE		NO LOAD		AT MAXIMUM EFFICIENCY					STALL			
	OPERATING RANGE	NOMNAL	SPEED	CURRENT	SPEED	CURRENT	TORQUE	OUTPUT	EFF	CURRENT	TORQUE		
			rpm	A	rpm	A	g-cm	mN-m	W	%	A	g-cm	mN-m
ND3SFN-4565	6.0 - 12.0	12.0V CONSTANT	6750	0.50	5834	2.60	367	35.98	22.00	71	17.91	2927	286.96
ND3SFN-4570	6.0 - 12.0	12.0V CONSTANT	6200	0.30	5432	2.17	342	33.53	19.08	74	17.02	3034	297.45
NC3SFN-6035	6.0 - 18.0	12.0V CONSTANT	12000	1.00	10764	5.63	465	45.59	51.50	76	51.36	4557	446.76
NC3SFN-7522	6.0 - 12.0	12.0V CONSTANT	19500	1.40	17544	9.42	466	45.69	83.95	75	81.60	4603	451.27

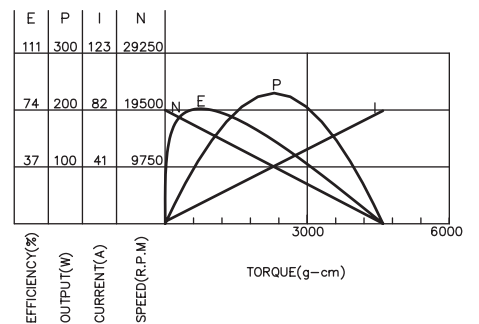
ND3SFN-4565 12.0V



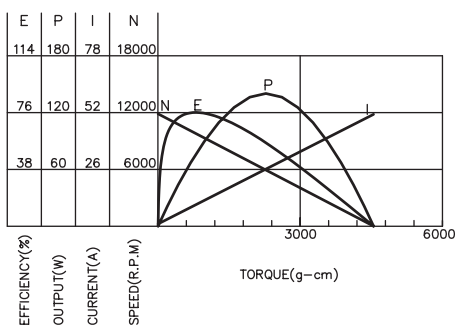
ND3SFN-4570 12.0V



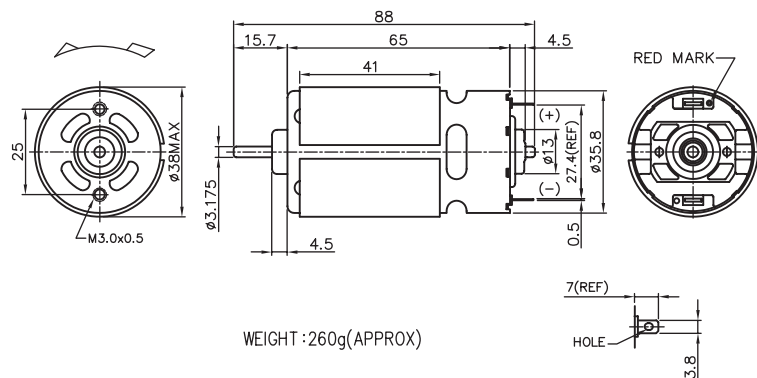
NC3SFN-7522 12.0V



NC3SFN-6035 12.0V



APPEARANCE SIZE



N5FN SERIES

DC-motors brush type low voltage designed especially for low cost and mass production. The motors are available with carbon or metal brushes and with integral emc filters as varistor and or capacitors. Please see the last part code digits shown in price list. Applications include scanners, mirrors, locks, toys, consumer goods, automotive, cameras, medical, HVAC, fans, vending machines, office machines, pumps, tools etc. The motors are available also with gear heads and customization is welcome.

N5FN SERIES

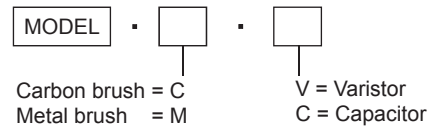


TRANSMOTEC SWEDEN AB

MOTOR SPECIFICATIONS

- Low cost
- Integral ems filter varistor capacitor
- Sleeve bearings
- Carbon or metal brush
- Ambient operating temperature -10..+60°C
- Customization is welcome

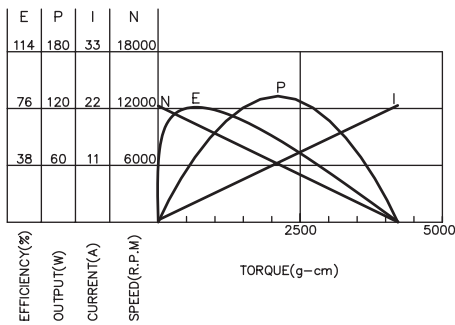
MODEL NO. DESIGNATIONS



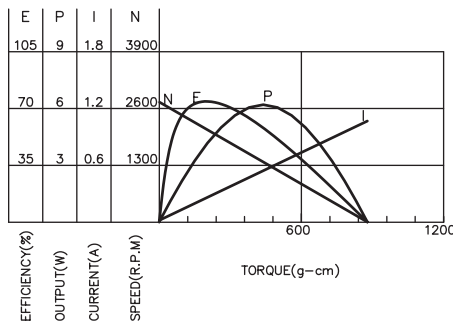
MOTOR DATA

MODEL	VOLTAGE		NO LOAD		AT MAXIMUM EFFICIENCY						STALL		
	OPERATING RANGE	NOMNAL	SPEED	CURRENT	SPEED	CURRENT	TORQUE	OUTPUT	EFF	CURRENT	TORQUE		
			rpm	A	rpm	A	g-cm	mN-m	W	%	A	g-cm	mN-m
ND5FN-3738	12.0 - 24.0	24.0V CONSTANT	12300	0.40	10965	2.60	452	44.31	50.89	77	22.65	4220	413.73
ND5FN-16190	12.0 - 24.0	24.0V CONSTANT	2750	0.04	2338	2.17	119	11.66	2.87	70	1.07	879	86.17
NC5FN-3545	12.0 - 36.0	36.0V CONSTANT	15600	0.30	14327	2.14	415	40.69	21.85	80	21.85	4578	448.82
NC5FN-3550	6.0 - 12.0	12.0V CONSTANT	4400	0.25	3740	1.40	313	30.69	12.03	72	8.49	2214	217.06

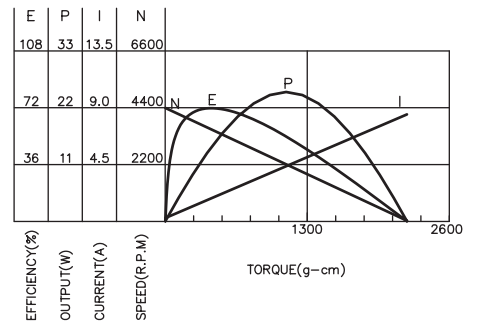
ND5FN-3738 24.0V



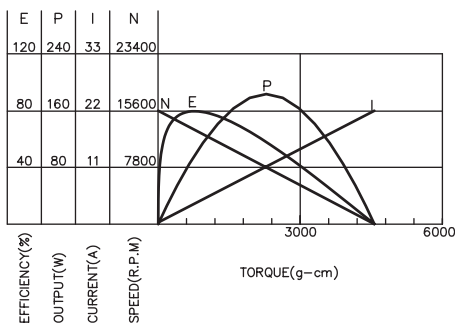
ND5FN-16190 24.0V



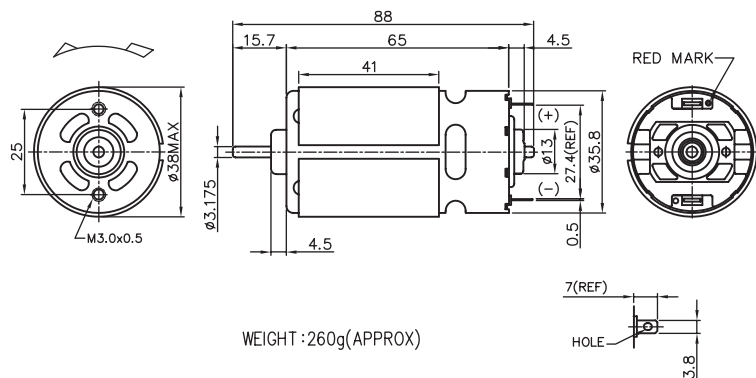
NC5FN-3550 12.0V



NC5FN-3545 36.0V



APPEARANCE SIZE



750 SERIES

DC-motors brush type low voltage designed especially for low cost and mass production. The motors are available with carbon or metal brushes and with integral emc filters as varistor and or capacitors. Please see the last part code digits shown in price list. Applications include scanners, mirrors, locks, toys, consumer goods, automotive, cameras, medical, HVAC, fans, vending machines, office machines, pumps, tools etc. The motors are available also with gear heads and customization is welcome.

750 SERIES

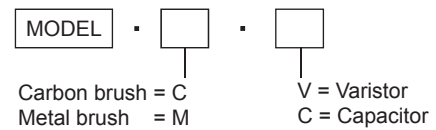


TRANSMOTEC SWEDEN AB

MOTOR SPECIFICATIONS

- Low cost
- Integral ems filter varistor capacitor
- Sleeve bearings
- Carbon or metal brush
- Ambient operating temperature -10..+60°C
- Customization is welcome

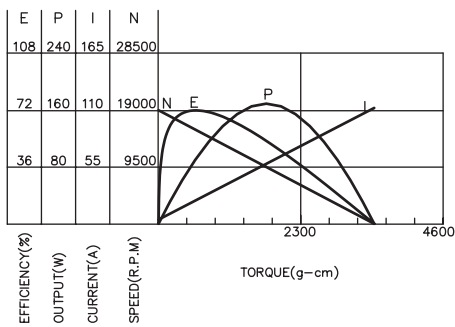
MODEL NO. DESIGNATIONS



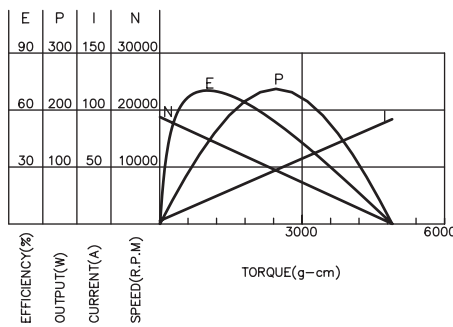
MOTOR DATA

MODEL	VOLTAGE		NO LOAD		AT MAXIMUM EFFICIENCY						STALL		
	OPERATING RANGE	NOMNAL	SPEED	CURRENT	SPEED	CURRENT	TORQUE	OUTPUT	EFF	CURRENT	TORQUE		
			rpm	A	rpm	A	g-cm	mN-m	W	%	A	g-cm	mN-m
750-9013	3.0 - 6.0	6.0V CONSTANT	19000	4.00	16892	19.27	477	46.67	82.74	72	112.22	3490	342.16
750-8028	6.0 - 12.0	12.0V CONSTANT	18800	2.60	15520	12.78	673	65.98	107.32	70	92.08	4900	480.39
750-4570	6.0 - 24.0	12.0V CONSTANT	7500	0.75	6370	4.28	529	51.86	34.65	69	22.48	3120	305.88
750-32160	12.0 - 36.0	12.0V CONSTANT	3200	0.36	2642	1.36	387	37.94	10.50	65	6.14	2140	209.80

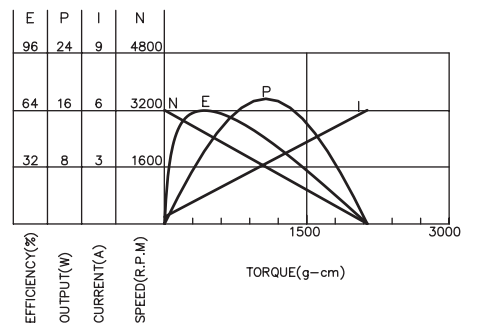
750-9013 6.0V



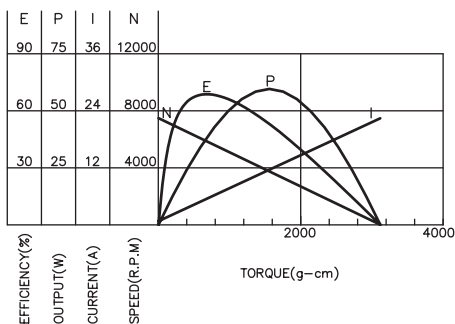
750-8028 12.0V



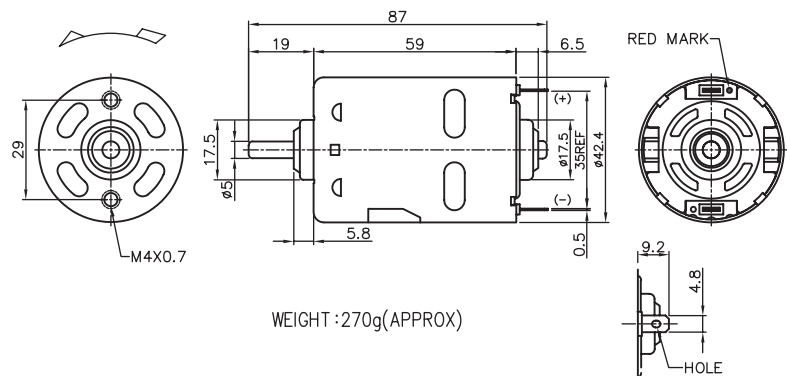
750-32160 12.0V



750-4570 12.0V



APPEARANCE SIZE



755 SERIES

DC-motors brush type low voltage designed especially for low cost and mass production. The motors are available with carbon or metal brushes and with integral emc filters as varistor and or capacitors. Please see the last part code digits shown in price list. Applications include scanners, mirrors, locks, toys, consumer goods, automotive, cameras, medical, HVAC, fans, vending machines, office machines, pumps, tools etc. The motors are available also with gear heads and customization is welcome.

755 SERIES

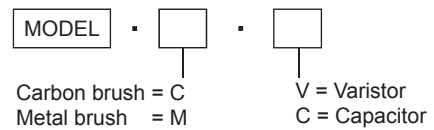


TRANSMOTEC SWEDEN AB

MOTOR SPECIFICATIONS

- Low cost
- Integral ems filter varistor capacitor
- Sleeve bearings
- Carbon or metal brush
- Ambient operating temperature -10..+60°C
- Customization is welcome

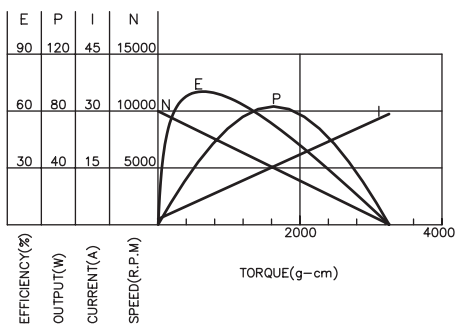
MODEL NO. DESIGNATIONS



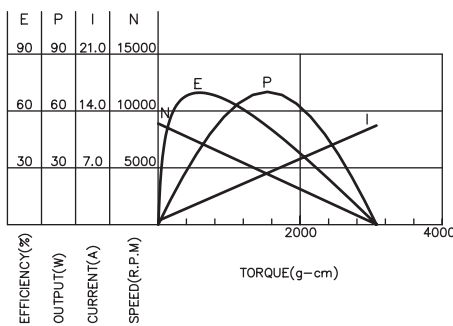
MOTOR DATA

MODEL	VOLTAGE		NO LOAD		AT MAXIMUM EFFICIENCY						STALL		
	OPERATING RANGE	NOMNAL	SPEED	CURRENT	SPEED	CURRENT	TORQUE	OUTPUT	EFF	CURRENT	TORQUE		
			rpm	A	rpm	A	g-cm	mN-m	W	%	A	g-cm	mN-m
755-5027F	6.0 – 12.0	12.0V CONSTANT	10000	1.40	8400	4.87	466	45.68	40.56	70.64	29.26	3258	319.41
755-3262	12.0 – 24.0	24.0V CONSTANT	8900	0.45	7400	2.11	442	43.33	33.93	69.96	12.22	3079	301.86
755-8512F	6.0 – 9.6	9.6V CONSTANT	16700	2.80	14006	19.81	1002	98.24	144.12	76.00	112.61	6480	635.29
755-19175	12.0 – 38.0	36.0V CONSTANT	4800	0.18	3900	0.61	343	33.63	13.83	64.37	2.71	1870	183.33

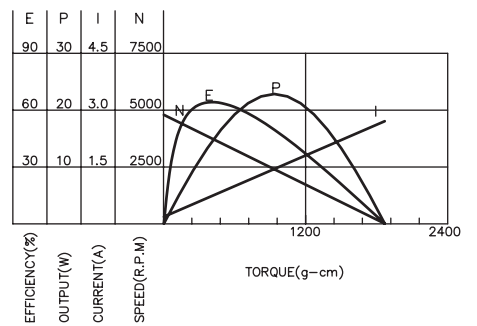
755-5027F 12.0V



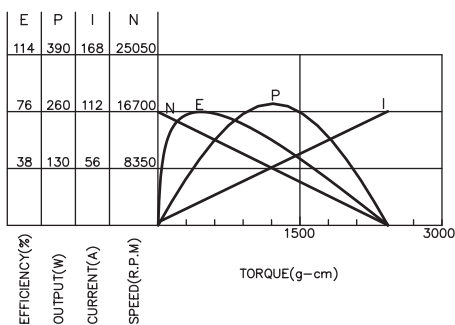
755-3262 24.0V



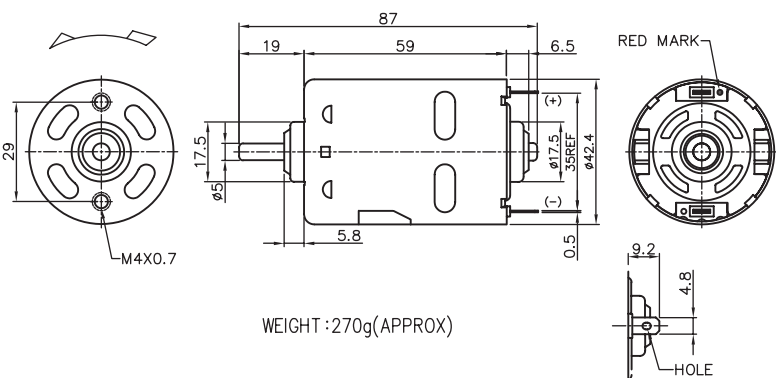
755-19175 36.0V



755-8512F 9.6V



APPEARANCE SIZE



775 SERIES

DC-motors brush type low voltage designed especially for low cost and mass production. The motors are available with carbon or metal brushes and with integral emc filters as varistor and or capacitors. Please see the last part code digits shown in price list. Applications include scanners, mirrors, locks, toys, consumer goods, automotive, cameras, medical, HVAC, fans, vending machines, office machines, pumps, tools etc. The motors are available also with gear heads and customization is welcome.

775 SERIES

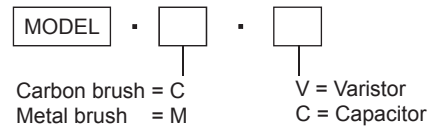


TRANSMOTEC SWEDEN AB

MOTOR SPECIFICATIONS

- Low cost
- Integral ems filter varistor capacitor
- Sleeve bearings
- Carbon or metal brush
- Ambient operating temperature -10..+60°C
- Customization is welcome

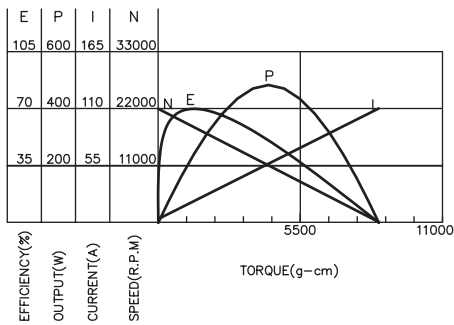
MODEL NO. DESIGNATIONS



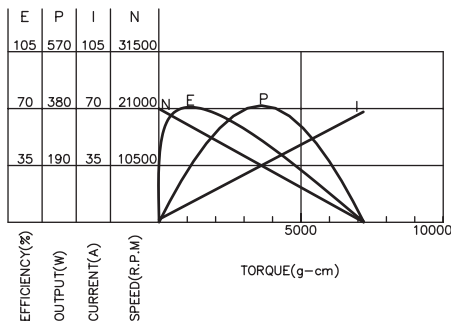
MOTOR DATA

MODEL	VOLTAGE		NO LOAD		AT MAXIMUM EFFICIENCY						STALL		
	OPERATING RANGE	NOMNAL	SPEED	CURRENT	SPEED	CURRENT	TORQUE		OUTPUT	EFF	CURRENT	TORQUE	
			rpm	A	rpm	A	g-cm	mN-m	W	%	A	g-cm	mN-m
775-8013F	6.0 - 12.0	12.0V CONSTANT	22000	3.00	18762	15.75	1028	100.78	198.07	70	110.36	8540	837.25
775-5520F	12.0 - 24.0	24.0V CONSTANT	21000	1.70	18416	10.72	962	94.31	181.93	71	68.10	7200	705.88
775-9008F	7.2 - 12.0	7.2V CONSTANT	14600	3.20	12312	20.05	816	80.00	103.22	72	108.71	5190	508.82
775-9009F-C	12.0 - 24.0	12.0V CONSTANT	21000	2.80	18051	21.07	1046	102.55	193.90	77	143.70	8225	806.37

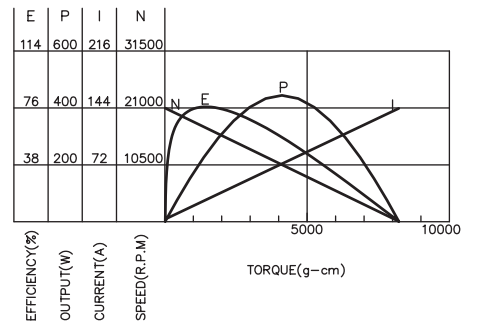
775-8013F 12.0V



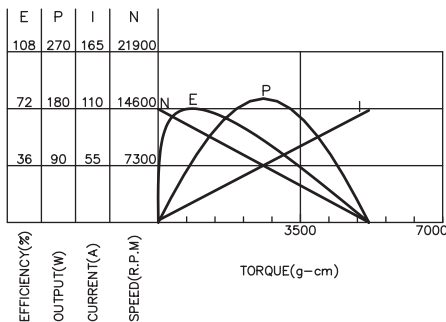
775-5520F 24.0V



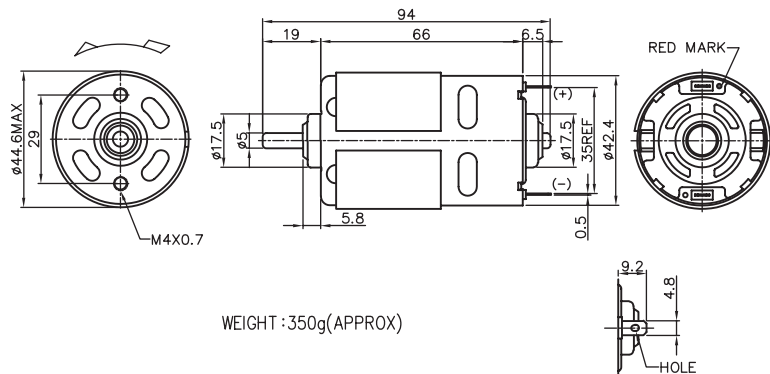
775-9009F-C 12.0V



775-9008F 7.2V



APPEARANCE SIZE



987 SERIES

DC-motors brush type low voltage designed especially for low cost and mass production. The motors are available with carbon or metal brushes and with integral emc filters as varistor and or capacitors. Please see the last part code digits shown in price list. Applications include scanners, mirrors, locks, toys, consumer goods, automotive, cameras, medical, HVAC, fans, vending machines, office machines, pumps, tools etc. The motors are available also with gear heads and customization is welcome.

987 SERIES

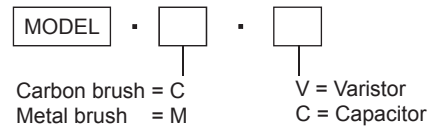


TRANSMOTEC SWEDEN AB

MOTOR SPECIFICATIONS

- Low cost
- Integral ems filter varistor capacitor
- Sleeve bearings
- Carbon or metal brush
- Ambient operating temperature -10..+60°C
- Customization is welcome

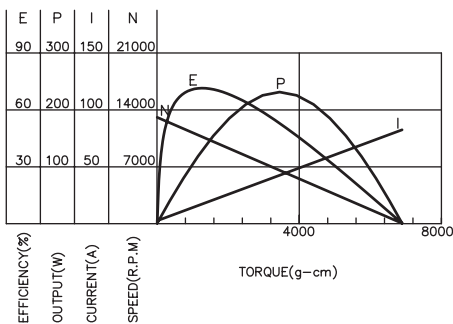
MODEL NO. DESIGNATIONS



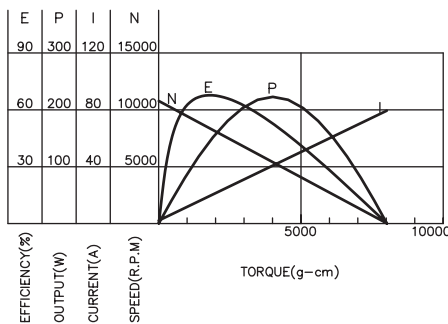
MOTOR DATA

MODEL	VOLTAGE		NO LOAD		AT MAXIMUM EFFICIENCY						STALL		
	OPERATING RANGE	NOMNAL	SPEED	CURRENT	SPEED	CURRENT	TORQUE		OUTPUT	EFF	CURRENT	TORQUE	
			rpm	A	rpm	A	g-cm	mN-m	W	%	A	g-cm	mN-m
987-8010F	6.0 - 12.0	12.0V CONSTANT	13100	2.30	11170	11.93	892	87.45	102.35	71.78	82.53	6900	676.47
987-8012F	6.0 - 18.0	12.0V CONSTANT	10800	2.00	9050	13.08	1155	113.24	107.35	68.26	79.56	8031	787.35
987-5524F	12.0 - 24.0	24.0V CONSTANT	11000	0.95	9720	6.33	1124	110.19	112.29	74.00	44.62	8747	857.54
987-5025F	12.0 - 24.0	12.0V CONSTANT	5050	1.20	4030	4.75	852	83.53	35.27	62.69	20.25	4260	417.64

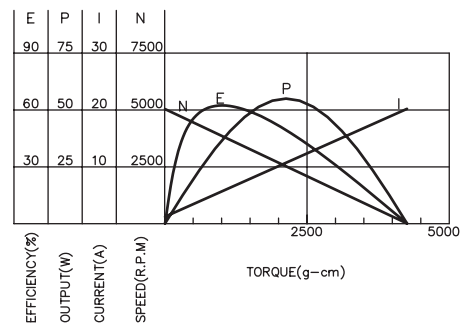
987-8010F 12.0V



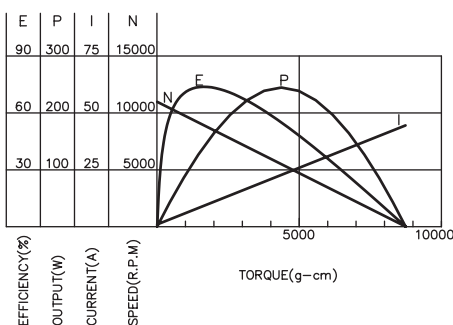
987-8012F 12.0V



987-5025F 12.0V



987-5524F 24.0V



APPEARANCE SIZE

