

DMA ACME SCREW LINEAR DC ACTUATORS

Heavy duty robust linear dc motor actuators for tough environments with ACME self lock lead screws and IP65 standard protection. Overload protection by mechanical ball clutches and optional Integrated adjustable limit switch and potentiometer feedback. Enhanced corrosion resistance and powder coated metal parts. Speed and force can be reduced by lowering the applied voltage and or limiting the current.

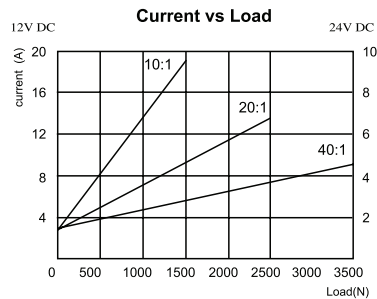
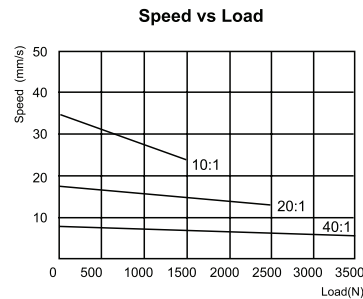
ADDITIONAL DATA

- Ambient temperature -25~+65 °C
- Static load capacity 4500N
- Extension tube (steel) powder coated
- Protection tube (steel) powder coated
- Powder coated aluminium alloy
- Powder metal gears
- Enhanced corrosion resistance
- Overload protection (clutch)
- Well sealed O-ring
- Lubricated for service life
- Robust designed for tough environment
- Self locking
- Duty cycle 25% (25% on / 75% off time)
- Certified (CE55011)

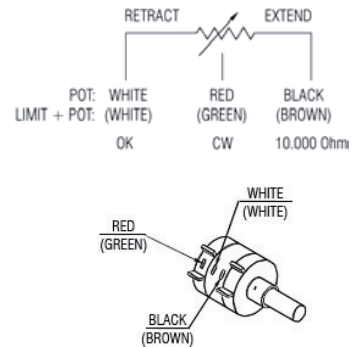
MODEL NO. DESIGNATIONS

| | | | | | | | | | | | | |
|-------------|----------------|--------------|----------------|----|---|---------------|--|-----|---|----|---|------|
| DMA | • | 12 | • | 20 | • | A | • | 200 | • | LT | • | IP65 |
| type | voltage | ratio | A: ACME | | | stroke | option | | | | | |
| | 12V DC | 10 | | | | 102mm | LT: Limit switch | | | | | |
| | 24V DC | 20 | | | | 152mm | POT: Potentiometer | | | | | |
| | | 40 | | | | 203mm | LT-POT: Limit switch and Potentiometer | | | | | |
| | | | | | | 305mm | | | | | | |
| | | | | | | 457mm | | | | | | |
| | | | | | | 610mm | | | | | | |

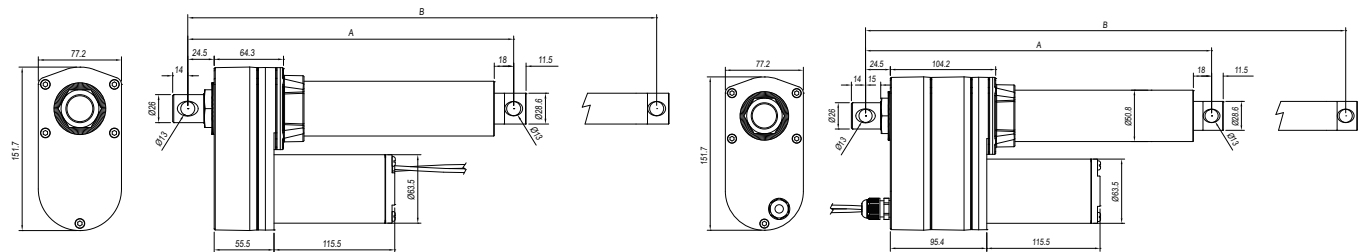
DIAGRAM



APPEARANCE SIZE



APPEARANCE SIZE



| Standard | | | | | | |
|---------------------|-----|-----|-----|-----|------|------|
| Stroke (±5mm) | 102 | 152 | 203 | 305 | 457 | 610 |
| A (Retracted ±3 mm) | 260 | 311 | 362 | 464 | 691 | 844 |
| B (Extended ±3 mm) | 362 | 464 | 566 | 770 | 1150 | 1456 |
| Weight (Kg) | 4.3 | 4.6 | 4.9 | 5.4 | 6.2 | 7.8 |

| With limit switch or POT or both | | | | | | |
|----------------------------------|-----|-----|-----|-----|------|------|
| Stroke (±5mm) | 102 | 152 | 203 | 305 | 457 | 610 |
| A (Retracted ±3 mm) | 300 | 351 | 402 | 504 | 731 | 884 |
| B (Extended ±3 mm) | 402 | 504 | 606 | 810 | 1190 | 1496 |
| Pot (Ohm/mm) | 100 | 67 | 50 | 33 | 22 | 17 |
| Weight (Kg) | 4.3 | 4.6 | 4.9 | 5.4 | 6.2 | 7.8 |

DMA BALL SCREW LINEAR DC ACTUATORS

Heavy duty robust linear dc motor actuators for tough environments with ball screws and IP65 standard protection. Overload protection by mechanical ball clutches and optional Integrated adjustable limit switch and potentiometer feedback. Enhanced corrosion resistance and powder coated metal parts. Speed and force can be reduced by lowering the applied voltage and or limiting the current.

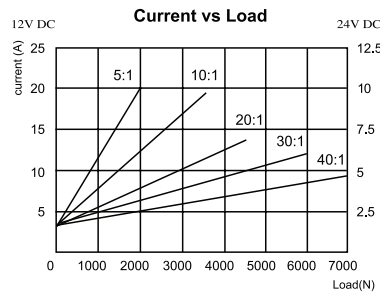
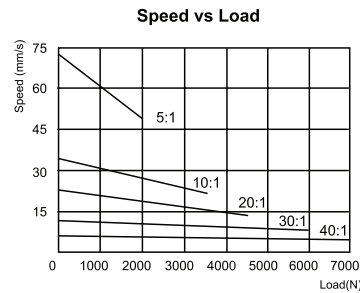
ADDITIONAL DATA

- Ambient temperature -25~+65 °C
- Static load capacity 13600N
- Extension tube (steel) powder coated
- Protection tube (steel) powder coated
- Powder coated aluminium alloy
- Powder metal gears
- Enhanced corrosion resistance
- Overload protection (clutch)
- Well sealed O-ring
- Lubricated for service life
- Robust designed for tough environment
- Self locking
- Duty cycle 25% (25% on / 75% off time)
- Certified (CE55011)

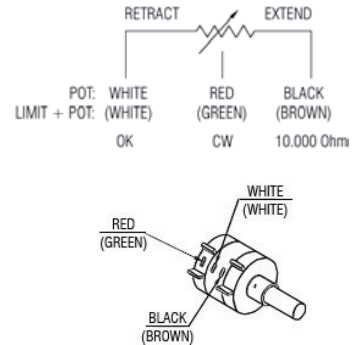
MODEL NO. DESIGNATIONS

| | | | | | | | | | | | | |
|-------------|----------------|--------------|----------------------|----|---------------|--|---|-----|---|----|---|------|
| DMA | • | 12 | • | 20 | • | A | • | 200 | • | LT | • | IP65 |
| type | voltage | ratio | B: Ball screw | | stroke | option | | | | | | |
| | 12V DC | 5 | | | 84mm | LT: Limit switch | | | | | | |
| | 24V DC | 10 | | | 135mm | POT: Potentiometer | | | | | | |
| | | 20 | | | 186mm | LT-POT: Limit switch and Potentiometer | | | | | | |
| | | 30 | | | 288mm | | | | | | | |
| | | 40 | | | 457mm | | | | | | | |
| | | | | | 610mm | | | | | | | |

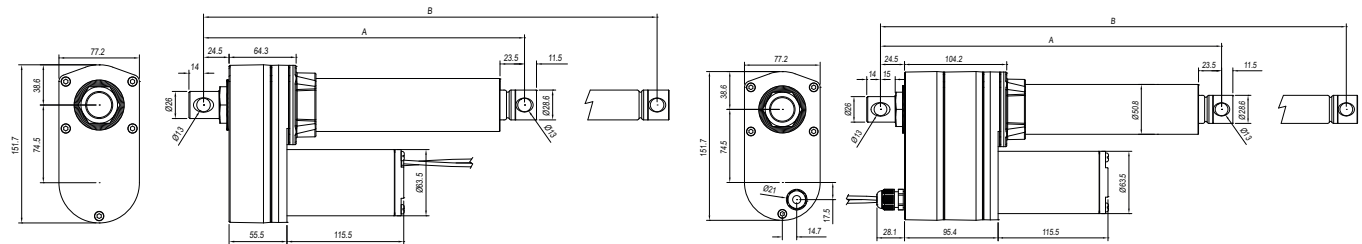
DIAGRAM



APPEARANCE SIZE



APPEARANCE SIZE



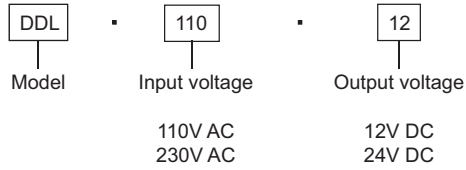
| | Standard | | | | | |
|---------------------|----------|-----|-----|-----|------|------|
| Stroke (±5mm) | 84 | 135 | 186 | 288 | 459 | 612 |
| A (Retracted ±3 mm) | 306 | 357 | 408 | 510 | 737 | 890 |
| B (Extended ±3 mm) | 390 | 492 | 594 | 798 | 1196 | 1502 |
| Weight (Kg) | 4.3 | 4.6 | 4.9 | 5.4 | 6.2 | 7.8 |

| | With limit switch or POT or both | | | | | |
|---------------------|----------------------------------|-----|-----|-----|------|------|
| Stroke (±5mm) | 84 | 135 | 186 | 288 | 459 | 612 |
| A (Retracted ±3 mm) | 346 | 397 | 448 | 550 | 777 | 930 |
| B (Extended ±3 mm) | 430 | 532 | 634 | 838 | 1236 | 1542 |
| Pot (Ohm/mm) | 119 | 74 | 54 | 35 | 22 | 16 |
| Weight (Kg) | 4.3 | 4.6 | 4.9 | 5.4 | 6.2 | 7.8 |

DDL ACTUATOR DC DRIVERS

Actuator driver with main transformer 230 or 110 VAC and dc rectifier with current limit suitable for simple drive of actuator 12 or 24 volt at maximum current 6 or 3 amp. The driver has integral relays for switching the output voltage polarity. There is also a 9 volt battery emergency lowering function built in.

DDL - MODEL NO. DESIGNATIONS

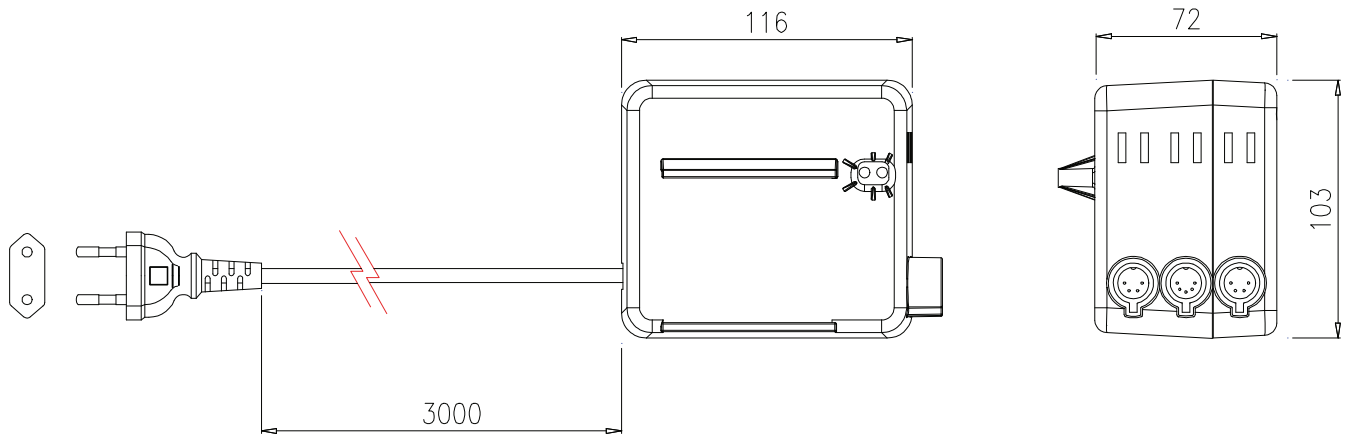


Example: DDL-110-12

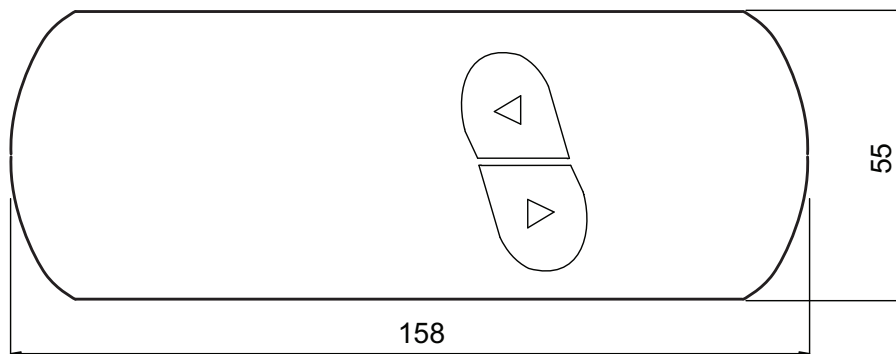
DDL - ADDITIONAL DATA

- 230 / 110 VAC input voltage
- 12 / 24 VDC output voltage
- Duty cycle 10%
- Current limit 6 or 3 A
- Integral relay for polarity switch
- Integral 9 volt battery lowering function

DDL - APPEARANCE SIZE



HDL - APPEARANCE SIZE



DDL



WEIGHT: 1.3KG

HDL



WEIGHT: 0.18KG